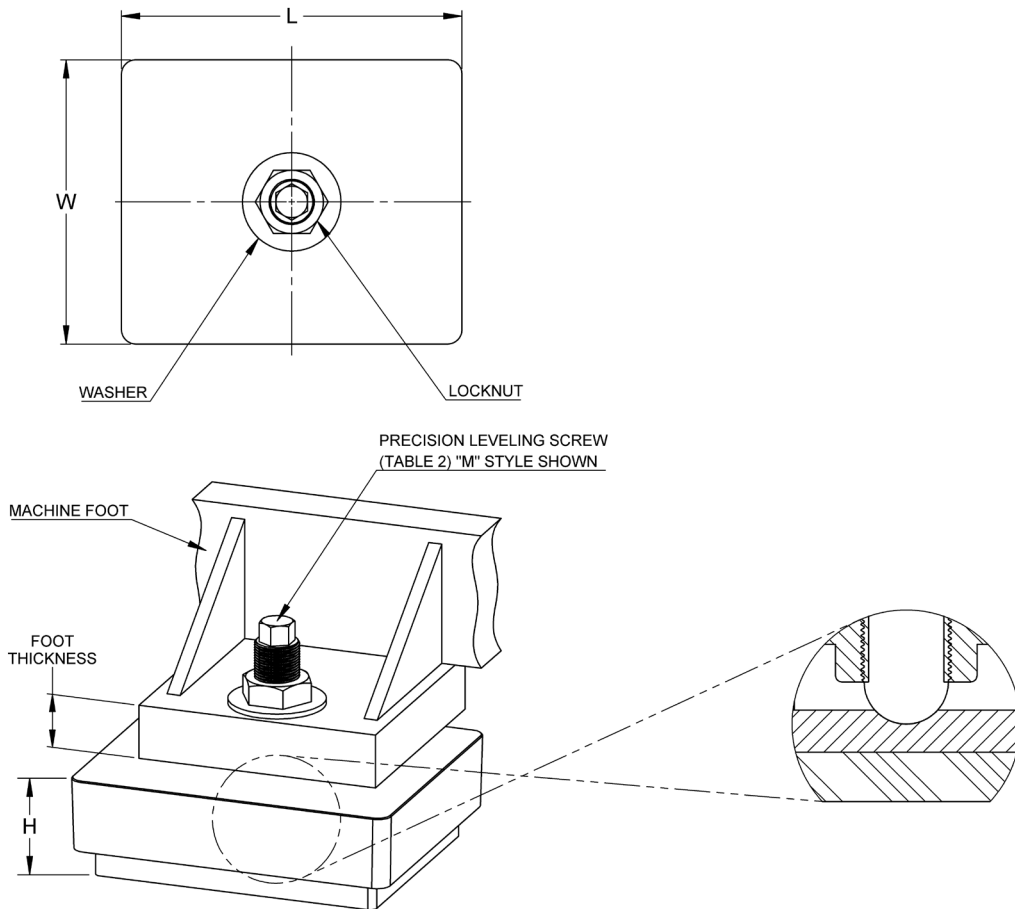


MICRO/LEVEL ISOLATORS: 10H SERIES



H-Style Isolators are recommended when less horizontal motion is desired.

- Elastomer vibration & shock mount
 - protects environment against transmitted vibration & shock
 - protects sensitive equipment from incoming vibration & shock
 - faster, easier installations compared to grouting & anchoring
- Vertical leveling screw
 - secures mount to machine foot
 - provides precision leveling
 - compensates for sloping floor
- Proper machine support
- Proprietary elastomer cushions
 - oil and chemical resistant
 - multiple hardness & thickness for better isolation effectiveness
 - neoprene, nitrile standard compounds
- Meets OSHA anchoring requirements

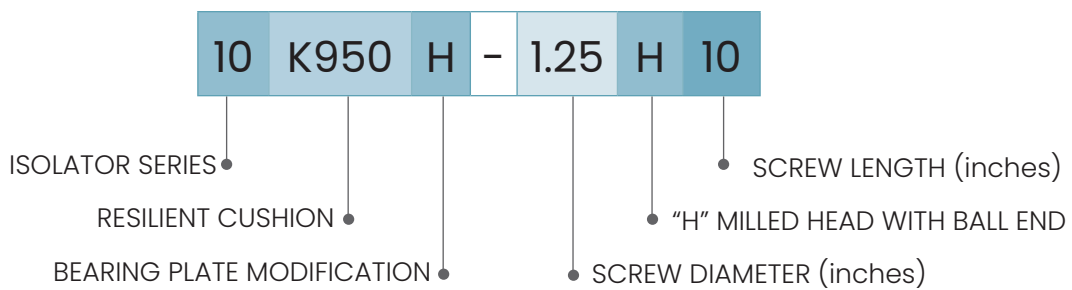


TYPICAL APPLICATIONS

- | | | | |
|---------------------------|----------------|---------------------|---------------------|
| • Presses, Mechanical | • Press brakes | • Swagers | • Cold Headers |
| • Forging Presses | • Shears | • Broaching | • Vertical Lathes |
| • Metal Container Presses | • Grinders | • Die Casters | • Machining Centers |
| • Turret Punch Presses | • Mills | • Injection Molders | • Generators |

Isolator		L	W	H ±1/8"			Weight (lbs)
Series	Model			Min	Max	Installed	
10H	10M800H	12.1	10.1	4.00	4.75	4.38	57
	10M1200H	12.1	10.1	4.00	4.75	4.38	57
	10KM1200H	12.1	10.1	4.25	5.00	4.50	57
	10L200H	12.1	10.1	3.38	4.13	3.75	57
	10L450H	12.1	10.1	3.38	4.13	3.75	57
	10L600H	12.1	10.1	3.38	4.13	3.75	57
	10L900H	12.1	10.1	3.38	4.13	3.75	57
	10LK900H	12.1	10.1	3.63	4.38	4.00	57
	10K650H	12.1	10.1	3.25	4.00	3.63	57
	10K950H	12.1	10.1	3.25	4.00	3.63	57

Leveling Screw	Foot Thickness Up To:	Weight (lbs.)
1H6	2.3	1.5
1.25H6	4.1	3.1
1.25H12	8.7	4.3
<i>Custom Lengths are Available</i>		



NOTE: Isolator data subject to change without notice.

05/10/2019