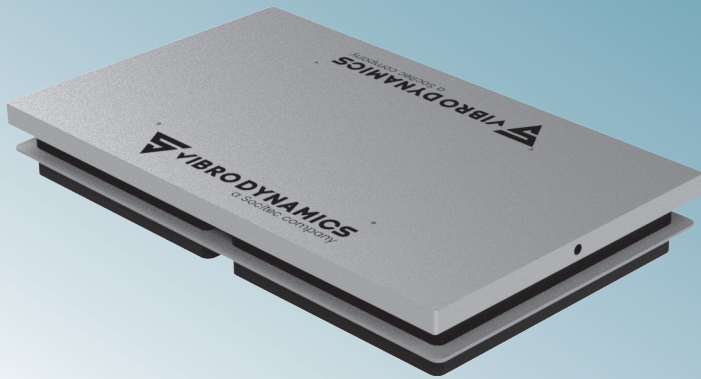
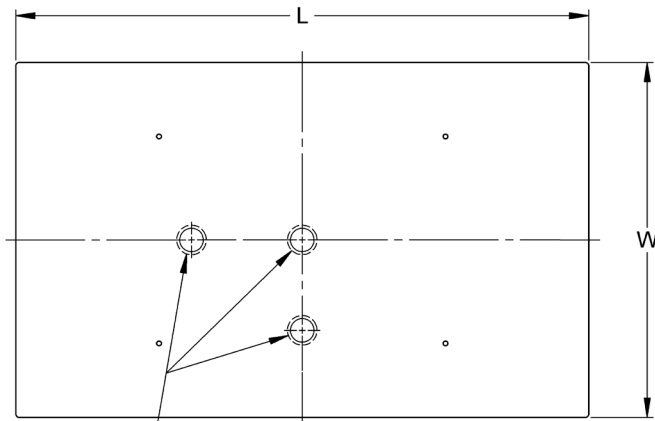


MODEL: 12-2MXBN



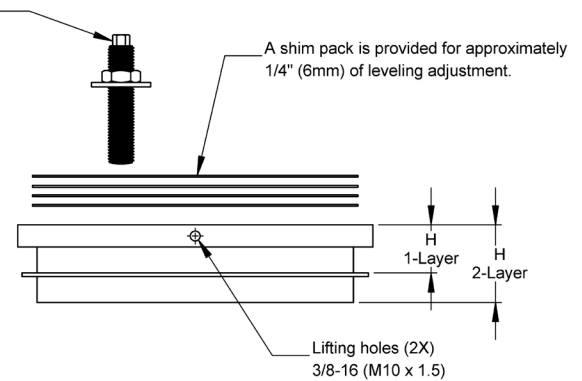
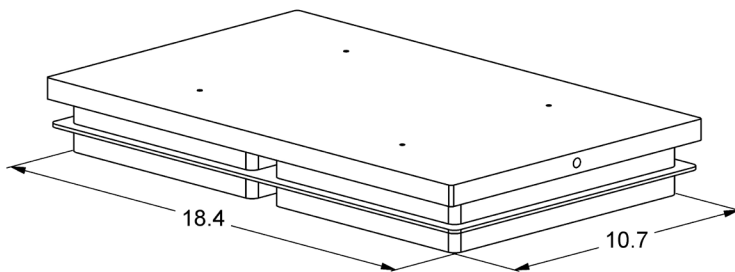
- Excellent isolation for effective control of vibration and shock.
- High-performance, multi-layer, modular elastomer construction.
- Shim leveling using metal shims supplied by Vibro/Dynamics.
- Large anchor bolts not required to keep machine from walking.
- Grout or sole plates are recommended, but usually not required due to wide foundation tilt and slope tolerance.

CUSTOM DESIGNS & SIZES ARE AVAILABLE

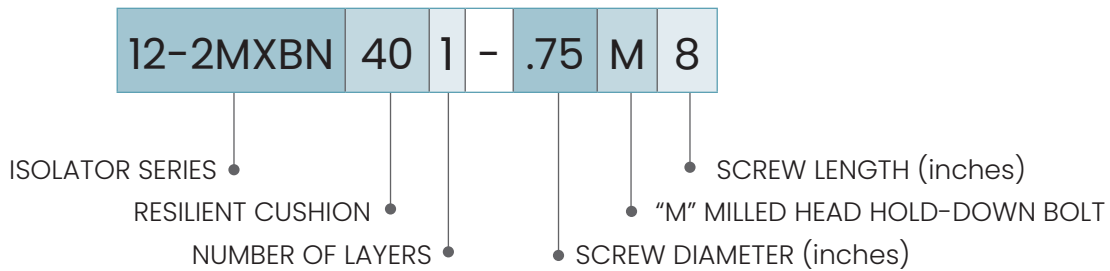


Potential attachment
bolt locations

Optional attachment bolt
For anchoring machine foot to isolator.
Location varies with each order.



Isolator		L	W	H	Foundation Tolerances		Weight (lbs)	
Series	Model			Min. Installed Height (± 1/8")	Flatness (inches ±)	Slope (inches/foot)		
12-2MXBN	1 Layer	12-2MXBN8801	19.4	12.0	2.2	0.07	0.05	
		12-2MXBN11001	19.4	12.0	2.2	0.07	0.05	
		12-2MXBN15001	19.4	12.0	1.6	0.04	0.03	
		12-2MXBN22001	19.4	12.0	1.2	0.02	0.02	
	2 Layer	12-2MXBN8802	19.4	12.0	3.6	0.07	0.09	
		12-2MXBN11002	19.4	12.0	3.6	0.07	0.09	
		12-2MXBN15002	19.4	12.0	2.5	0.04	0.06	
		12-2MXBN22002	19.4	12.0	1.8	0.02	0.03	



TYPICAL APPLICATIONS

- Presses, Mechanical
- Forging Presses
- Transfer Presses
- Hydraulic Presses
- Isolated Foundations
- Structures

NOTE: Isolator data subject to change without notice.

01/22/2021