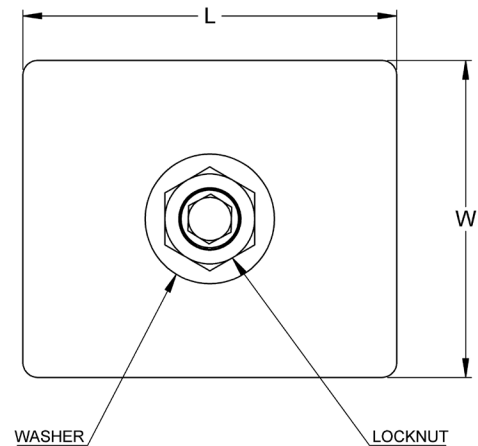
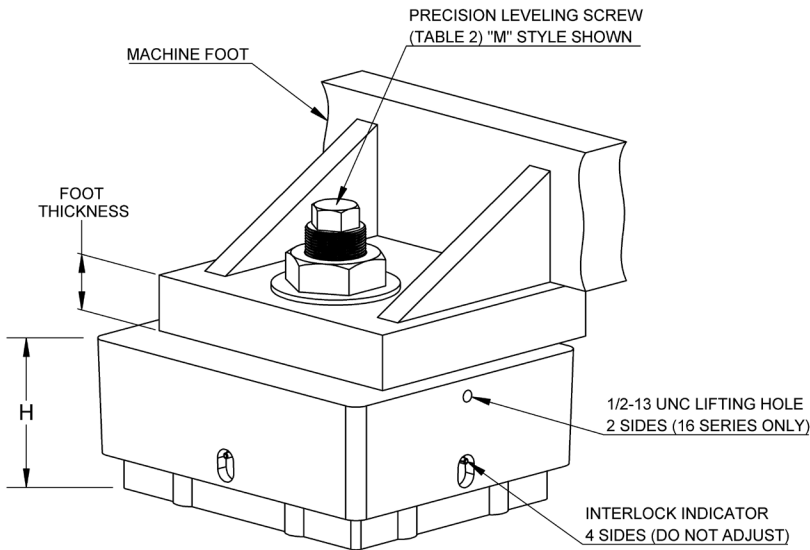


# MICRO/LEVEL ISOLATORS: 14-16 SERIES



- Elastomer vibration & shock mount
  - protects environment against transmitted vibration & shock
  - protects sensitive equipment from incoming vibration & shock
  - faster, easier installations compared to grouting & anchoring
- Vertical leveling screw
  - secures mount to machine foot
  - provides precision leveling
  - compensates for sloping floor
- Proper machine support
- Proprietary elastomer cushions
  - oil and chemical resistant
  - multiple hardness & thickness for better isolation effectiveness
  - neoprene, nitrile standard compounds
- Meets OSHA anchoring requirements



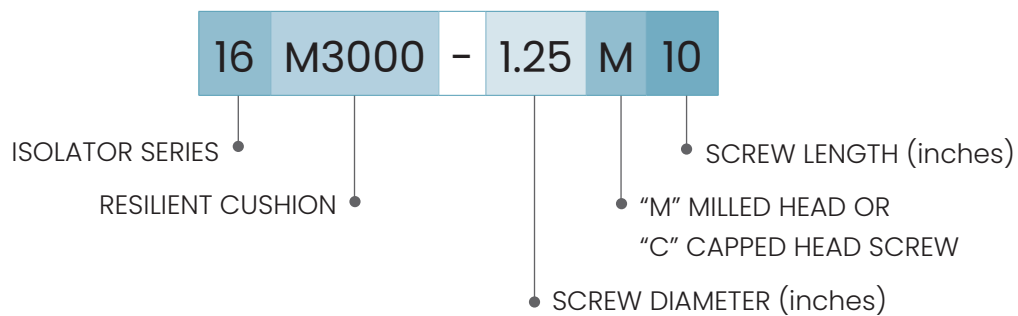
## TYPICAL APPLICATIONS

- |                           |                |                     |                     |
|---------------------------|----------------|---------------------|---------------------|
| • Presses, Mechanical     | • Press brakes | • Swagers           | • Cold Headers      |
| • Forging Presses         | • Shears       | • Broaching         | • Vertical Lathes   |
| • Metal Container Presses | • Grinders     | • Die Casters       | • Machining Centers |
| • Turret Punch Presses    | • Mills        | • Injection Molders | • Generators        |

Isolator		L	W	H ±1/8"			Weight (lbs)
Series	Model			Min	Max	Installed	
14	14M800	13.0	11.0	5.25	6.13	5.69	95
	14L1200	13.0	11.0	4.80	5.68	5.25	92
	14K1600	13.0	11.0	4.56	5.44	5.00	90
16	16M1500	16.3	13.3	5.75	6.75	6.25	161
	16M2100	16.3	13.3	5.75	6.75	6.25	160
	16M3000	16.3	13.3	5.75	6.75	6.25	161
	16L700	16.3	13.3	5.00	6.00	5.50	152
	16L1000	16.3	13.3	5.00	6.00	5.50	154
	16L1400	16.3	13.3	5.00	6.00	5.50	155
	16L2000	16.3	13.3	5.00	6.00	5.50	155
	16K1800	16.3	13.3	5.00	6.00	5.50	162
	16K2500	16.3	13.3	5.00	6.00	5.50	162

Leveling Screw	Foot Thickness Up To:		Weight (lbs.)
	14 series	16 series	
1.25M6	1.4	1.5	2.5
1.25M8	3.4	3.5	3.1
1.25M10	5.4	5.5	3.7
1.25M12	7.4	7.5	9.7
1.5M7	2.3	2.4	4.4
1.5M8	3.3	3.4	4.8
1.5M10	5.3	5.4	5.8
1.5M12	7.3	7.4	6.7
1.75M8	3.1	3.2	6.1
1.75M10	5.1	5.2	6.7
2M8	3.0	3.2	9.3
2M10	5.0	5.1	9.1
2M12	7.0	7.1	10.7
2.25M7		2.0	12.4
2.25M8		3.0	11.9
2.25M10		5.0	13.3

*Other Stock & Custom Lengths Available*



**NOTE: Isolator data subject to change without notice.**

**05/03/2019**