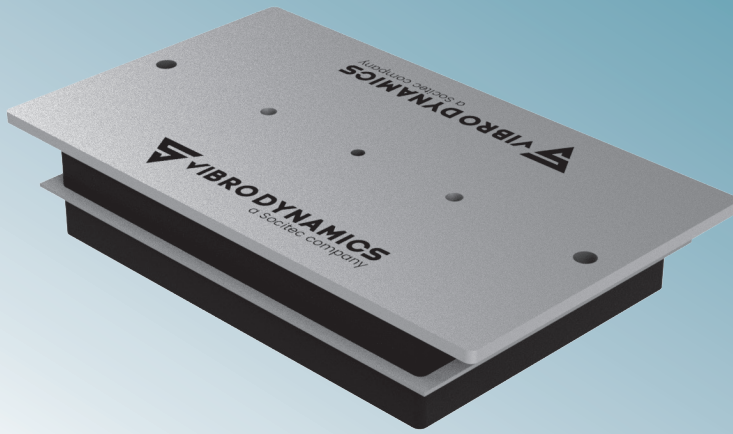
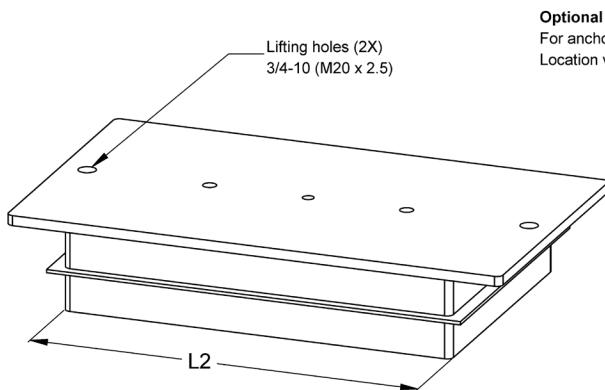
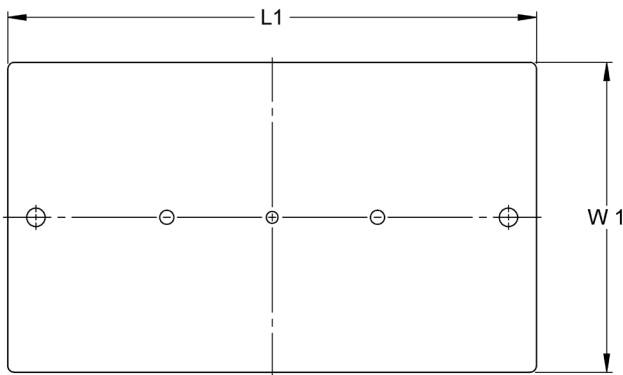


MODEL: 16MXBL

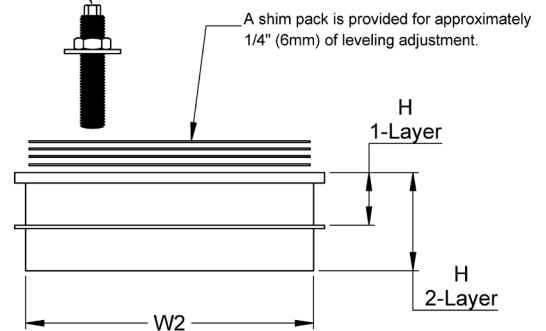


- Excellent isolation for effective control of vibration and shock.
- High-performance, multi-layer, modular elastomer construction.
- Shim leveling using metal shims supplied by Vibro/Dynamics.
- Large anchor bolts not required to keep machine from walking.
- Grout or sole plates are recommended, but usually not required due to wide foundation tilt and slope tolerance.

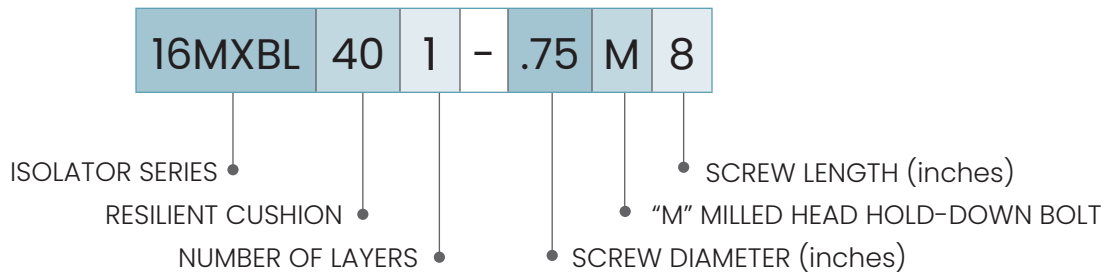
CUSTOM DESIGNS & SIZES ARE AVAILABLE



Optional attachment bolt
For anchoring machine foot to isolator.
Location varies with each order



Isolator		L ₁	W ₁	L ₂	W ₂	H	Foundation Tolerances		Weight (lbs)	
Series	Model					Min. Installed Height (± 1/8")	Flatness (inches ±)	Slope (inches/foot)		
16MXBL	1 Layer	16MXBL401	18.8	11	14.8	10.3	2.1	0.07	0.04	67
		16MXBL471	18.8	11	14.8	10.3	2.2	0.07	0.04	67
		16MXBL621	18.8	11	14.8	10.3	1.8	0.05	0.03	64
		16MXBL721	18.8	11	14.8	10.3	1.6	0.04	0.03	62
16MXBL	2 Layer	16MXBL472	18.8	11	14.8	10.3	4.1	0.07	0.08	95
		16MXBL622	18.8	11	14.8	10.3	3.3	0.05	0.07	89
		16MXBL722	18.8	11	14.8	10.3	2.9	0.04	0.05	58



TYPICAL APPLICATIONS

- Presses, Mechanical
- Forging Presses
- Transfer Presses
- Hydraulic Presses
- Isolated Foundations
- Structures

NOTE: Isolator data subject to change without notice.

03/29/2019