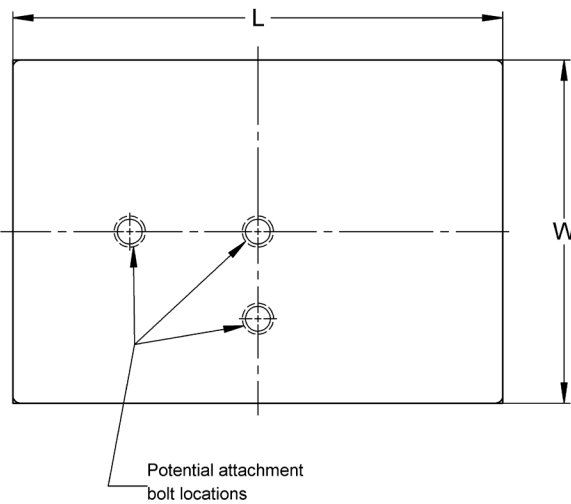


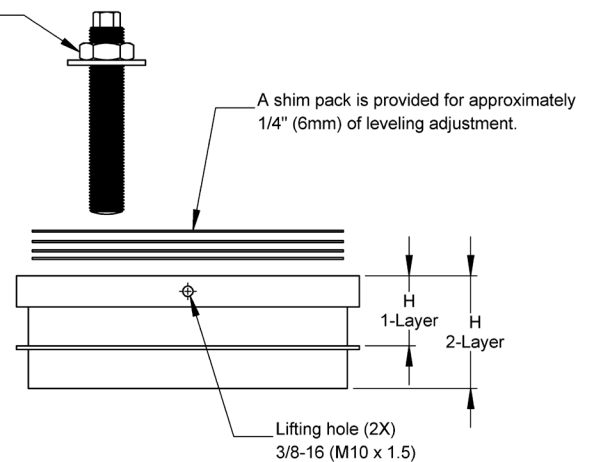
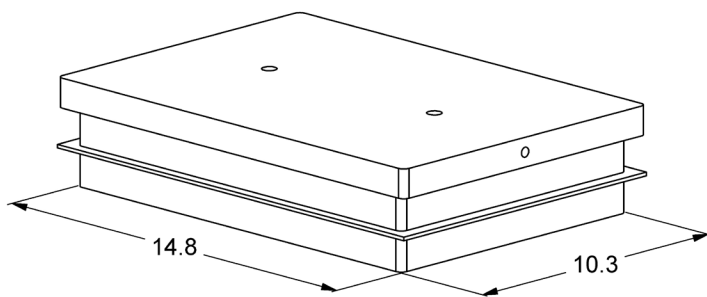
# MODEL: 16MXBN

- Excellent isolation for effective control of vibration and shock.
- High-performance, multi-layer, modular elastomer construction.
- Shim leveling using metal shims supplied by Vibro/Dynamics.
- Large anchor bolts not required to keep machine from walking.
- Grout or sole plates are recommended, but usually not required due to wide foundation tilt and slope tolerance.

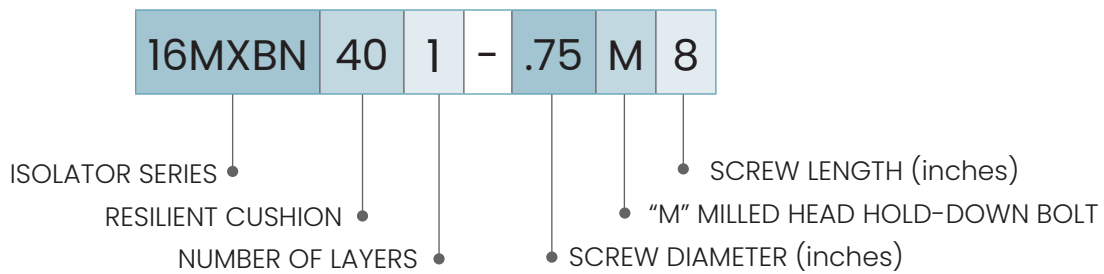
CUSTOM DESIGNS & SIZES ARE AVAILABLE



Optional attachment bolt  
For anchoring machine foot to isolator.  
Location varies with each order.



Isolator		L	W	H	Foundation Tolerances		Weight (lbs)	
Series	Model			Min. Installed Height ( $\pm 1/8"$ )	Flatness (inches $\pm$ )	Slope (inches/foot)		
16MXBN	1 Layer	16MXBN401	15.8	11	2.8	0.07	0.04	86
		16MXBN471	15.8	11	2.8	0.07	0.04	86
		16MXBN621	15.8	11	2.4	0.05	0.03	83
		16MXBN721	15.8	11	2.2	0.04	0.03	82
	2 Layer	16MXBN802	15.8	11	2.9	0.03	0.03	80
		16MXBN472	15.8	11	4.6	0.07	0.08	112
		16MXBN622	15.8	11	4.0	0.05	0.07	107
		16MXBN722	15.8	11	3.5	0.04	0.05	105



### TYPICAL APPLICATIONS

- Presses, Mechanical
- Forging Presses
- Transfer Presses
- Hydraulic Presses
- Isolated Foundations
- Structures

NOTE: Isolator data subject to change without notice.

05/09/2019