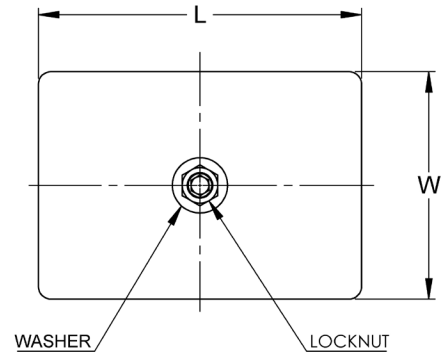
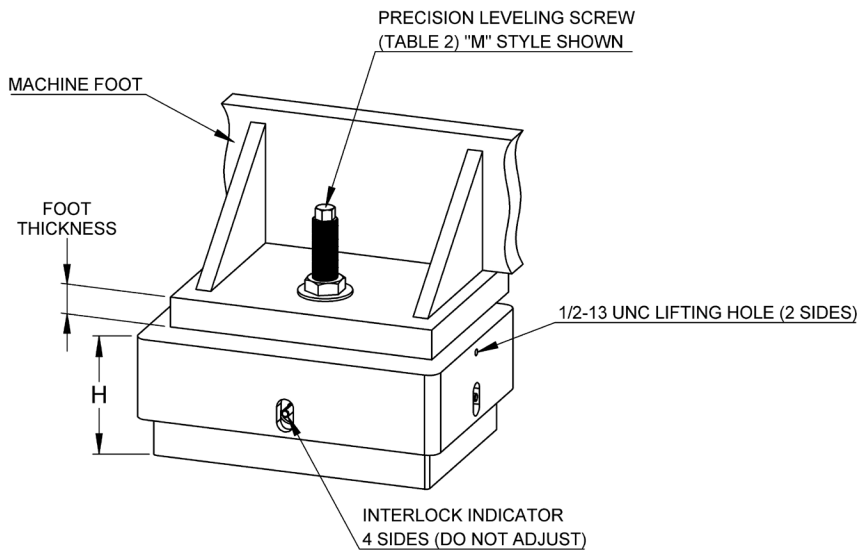


MICRO/LEVEL ISOLATORS: 20-26 SERIES



- Elastomer vibration & shock mount
 - protects environment against transmitted vibration & shock
 - protects sensitive equipment from incoming vibration & shock
 - faster, easier installations compared to grouting & anchoring
- Vertical leveling screw
 - secures mount to machine foot
 - provides precision leveling
 - compensates for sloping floor
- Proper machine support
- Proprietary elastomer cushions
 - oil and chemical resistant
 - multiple hardness & thickness for better isolation effectiveness
 - neoprene, nitrile standard compounds
- Meets OSHA anchoring requirements



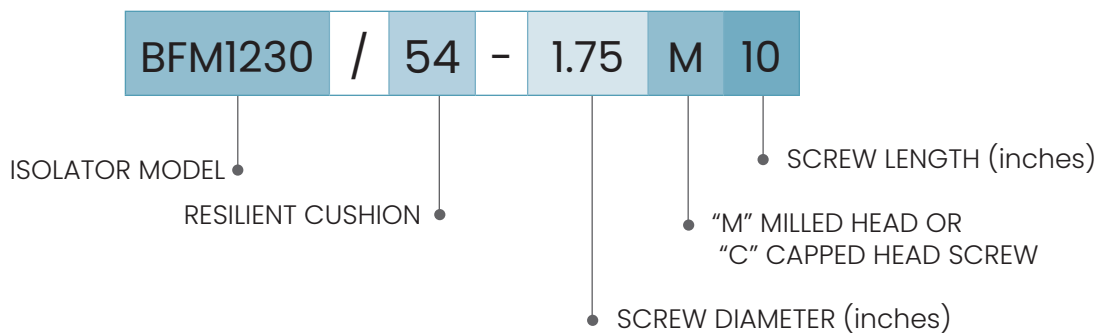
TYPICAL APPLICATIONS

- | | | | |
|---------------------------|----------------|---------------------|---------------------|
| • Presses, Mechanical | • Press brakes | • Swagers | • Cold Headers |
| • Forging Presses | • Shears | • Broaching | • Vertical Lathes |
| • Metal Container Presses | • Grinders | • Die Casters | • Machining Centers |
| • Turret Punch Presses | • Mills | • Injection Molders | • Generators |

Isolator		L	W	H ±1/8"			Weight (lbs)
Series	Model			Min	Max	Installed	
20	BFM1230/34	20.5	14.5	7.00	8.00	7.50	337
	BFM1230/44	20.5	14.5	7.00	8.00	7.50	337
	BFM1230/54	20.5	14.5	7.00	8.00	7.50	337
	BFM1150/52	20.5	14.5	6.38	7.38	6.88	331
	BFM1150/57	20.5	14.5	6.38	7.38	6.88	331
	BFM1150/62	20.5	14.5	6.38	7.38	6.88	331
	BFM1340/60	20.5	14.5	6.00	7.00	6.50	326
	BFM1340/70	20.5	14.5	6.00	7.00	6.50	326
25	BFM2560	26.5	19.5	8.40	9.40	8.90	757
	BFM2576	26.5	19.5	8.40	9.40	8.90	757
	BFM2590	26.5	19.5	8.40	9.40	8.90	757
	BFM25100	26.5	19.5	8.40	9.40	8.90	744
	BFM25110	26.5	19.5	7.90	8.90	8.40	744
	BFM25135	26.5	19.5	7.90	8.90	8.40	744
26	BFM2660	26.5	19.5	8.90	9.90	9.40	749
	BFM2676	26.5	19.5	8.90	9.90	9.40	805
	BFM2690	26.5	19.5	8.90	9.90	9.40	805
	BFM26100	26.5	19.5	8.90	9.90	9.40	808
	BFM26110	26.5	19.5	8.40	9.40	8.90	802
	BFM26135	26.5	19.5	8.40	9.40	8.90	802
	BFM26180	26.5	19.5	8.40	9.40	8.90	806

Leveling Screw	Foot Thickness Up To:		Weight (lbs)
	20 series	25-26 series	
1.5M7	1.8		4.4
1.5M8	2.8		4.8
1.5M10	4.8		5.8
1.75M8	2.7		6.7
1.75M10	4.7		8.0
1.75M12	6.7		9.3
2M8	2.6		9.1
2M10	4.6		10.7
2M12	6.6		12.4
2M14	8.5		14.1
2.25M7	1.4	0.9	10.9
2.25M8	2.4	1.9	11.9
2.25M10	4.4	3.9	13.3
2.25M12	6.4	5.9	16.7
2.25M14	8.5	7.9	20.1
2.5M8	2.4	1.7	14.6
2.5M10	4.2	3.7	17.0
2.5M12	6.2	5.7	20
2.5M14	8.2	7.7	23
2.75M10	4.0	3.4	22
2.75M12	6.0	5.4	25
3M10		3.3	22
3M12		5.3	25

Other Stock & Custom Lengths Available



NOTE: Isolator data subject to change without notice.

05/03/2019