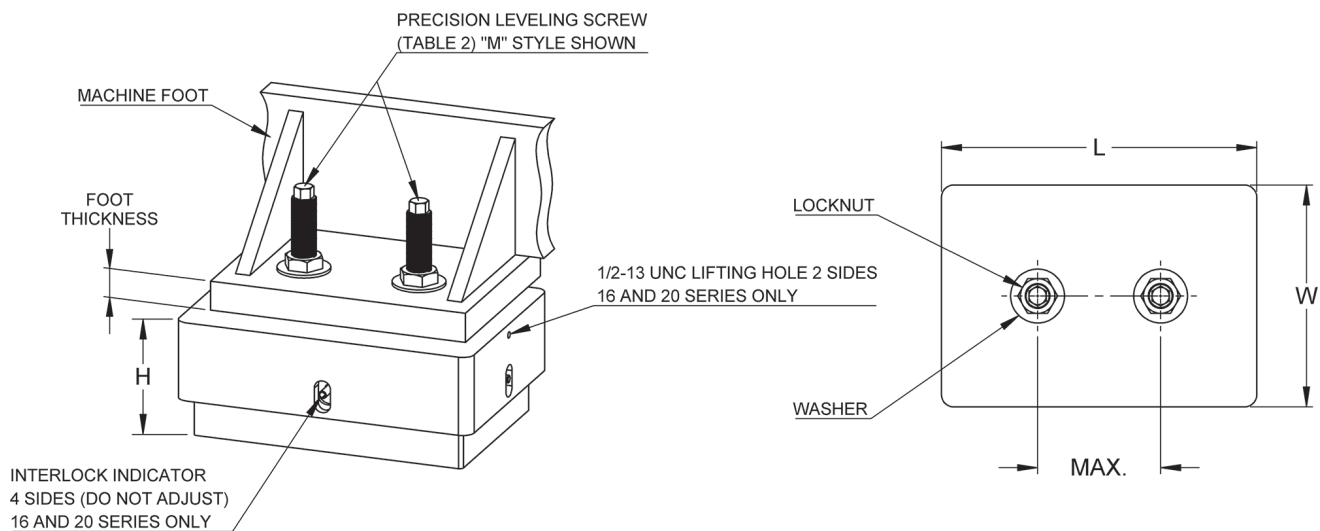


# MICRO/LEVEL ISOLATORS: 210-220 SERIES



Two Leveling Screw Isolators are recommended for machine with two mounting holes in each foot

- Elastomer vibration & shock mount
  - protects environment against transmitted vibration & shock
  - protects sensitive equipment from incoming vibration & shock
  - faster, easier installations compared to grouting & anchoring
- Vertical leveling screw
  - secures mount to machine foot
  - provides precision leveling
  - compensates for sloping floor
- Proper machine support
- Proprietary elastomer cushions
  - oil and chemical resistant
  - multiple hardness & thickness for better isolation effectiveness
  - neoprene, nitrile standard compounds
- Meets OSHA anchoring requirements



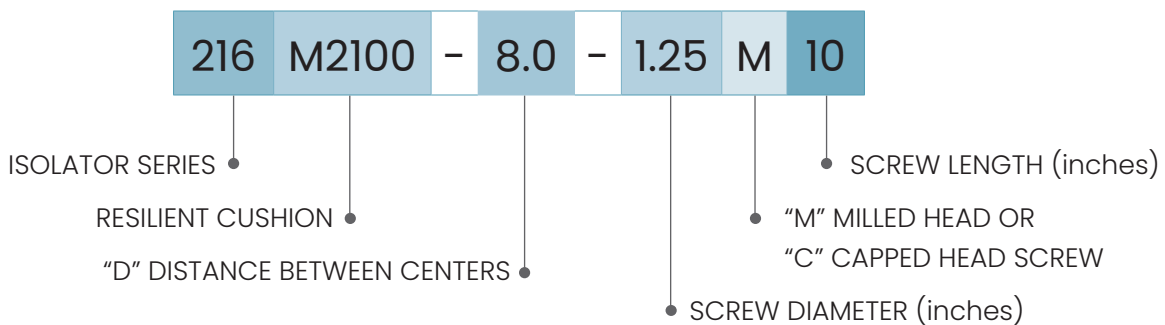
## Notes:

1. Leveling Screw Diameter & Length depend on the mounting hole diameter & foot thickness.
2. 216 thru 220 Series are furnished with Interlocks.
3. 210 thru 216 Series dimension H is unloaded.
4. Height tolerances are  $\pm 1/16"$  for Series 210-216 and  $\pm 1/8"$  for Series 220.

## TYPICAL APPLICATIONS

- |                           |                |                     |                     |
|---------------------------|----------------|---------------------|---------------------|
| • Presses, Mechanical     | • Press brakes | • Swagers           | • Cold Headers      |
| • Forging Presses         | • Shears       | • Broaching         | • Vertical Lathes   |
| • Metal Container Presses | • Grinders     | • Die Casters       | • Machining Centers |
| • Turret Punch Presses    | • Mills        | • Injection Molders | • Generators        |

Isolator		L	W	H ±1/8"			Leveling Screw Dia./Max. Spacing						Weight (lbs)	
Series	Model			Min	Max	Installed	0.75	1	1.125	1.25	1.5	1.75		2
210	210M800	12.1	10.1	4.00	4.75	4.38	9.25	9.00	8.88	8.75				53
	210M1200	12.1	10.1	4.00	4.75	4.38	9.25	9.00	8.88	8.75				53
	210L200	12.1	10.1	3.38	4.13	3.75	9.25	9.00	8.88	8.75				51
	210L450	12.1	10.1	3.38	4.13	3.75	9.25	9.00	8.88	8.75				51
	210L600	12.1	10.1	3.38	4.13	3.75	9.25	9.00	8.88	8.75				51
	210L900	12.1	10.1	3.38	4.13	3.75	9.25	9.00	8.88	8.75				51
	210LK900	12.1	10.1	3.63	4.38	4.00	9.25	9.00	8.88	8.75				56
	210K650	12.1	10.1	3.25	4.00	3.63	9.25	9.00	8.88	8.75				54
	210K950	12.1	10.1	3.25	4.00	3.63	9.25	9.00	8.88	8.75				54
216	216M1500	16.3	13.3	5.75	6.75	6.25		12.00	11.88	11.75	11.50	11.25		161
	216M2100	16.3	13.3	5.75	6.75	6.25		12.00	11.88	11.75	11.50	11.25		160
	216M3000	16.3	13.3	5.75	6.75	6.25		12.00	11.88	11.75	11.50	11.25		161
	216L700	16.3	13.3	5.00	6.00	5.50		12.00	11.88	11.75	11.50	11.25		152
	216L1000	16.3	13.3	5.00	6.00	5.50		12.00	11.88	11.75	11.50	11.25		154
	216L1400	16.3	13.3	5.00	6.00	5.50		12.00	11.88	11.75	11.50	11.25		155
	216L2000	16.3	13.3	5.00	6.00	5.50		12.00	11.88	11.75	11.50	11.25		155
	216K1800	16.3	13.3	5.00	6.00	5.50		12.00	11.88	11.75	11.50	11.25		162
	216K2500	16.3	13.3	5.00	6.00	5.50		12.00	11.88	11.75	11.50	11.25		162
220	BFM1417/44	20.5	14.5	7.00	8.00	7.50				15.50	15.25	15.00	14.75	314
	BFM1417/54	20.5	14.5	7.00	8.00	7.50				15.50	15.25	15.00	14.75	316
	BFM1235/57	20.5	14.5	6.38	7.38	6.88				15.50	15.25	15.00	14.75	308
	BFM1235/62	20.5	14.5	6.38	7.38	6.88				15.50	15.25	15.00	14.75	308
	BFM1415/60	20.5	14.5	6.00	7.00	6.50				15.50	15.25	15.00	14.75	302
	BFM1415/70	20.5	14.5	6.00	7.00	6.50				15.50	15.25	15.00	14.75	304



NOTE: Isolator data subject to change without notice.

05/03/2019