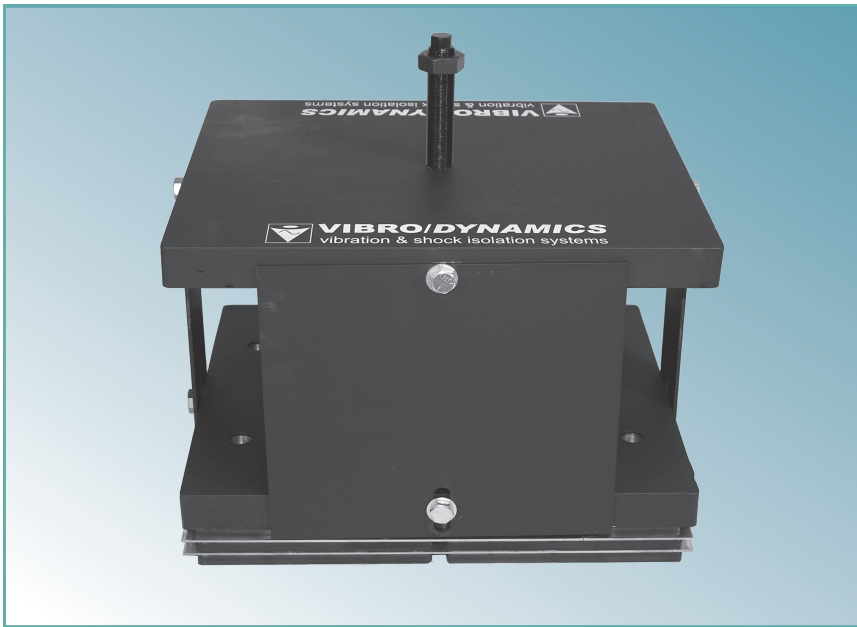
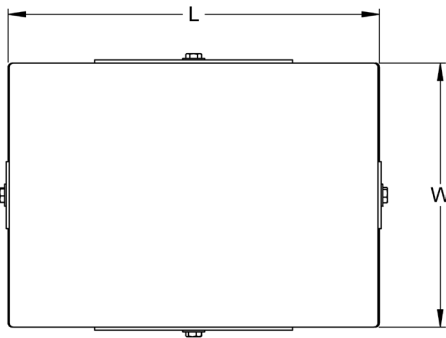


MODEL: 24MXLP & 25MXLP



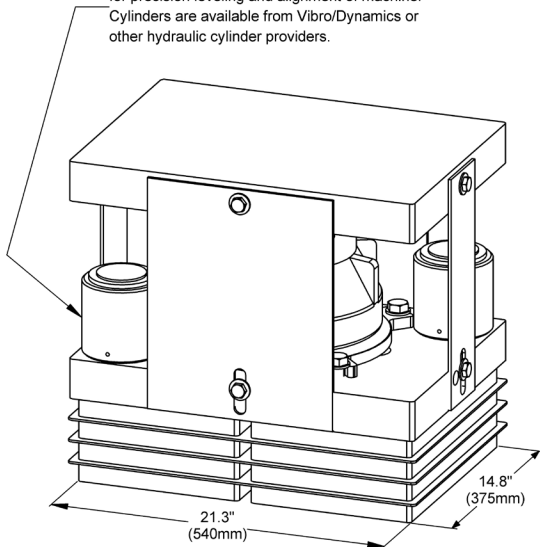
- Excellent isolation for effective control of vibration and shock
- High-performance, multi-layer, modular elastomer construction
- Hydra/Level® Assisted Leveling
 - faster, easier leveling, alignment and elevation adjustment
 - preventative maintenance insurance in the event of foundation settling.
- Integrated precision leveling
 - more precise
 - infinitely adjustable
- Two degree swiveling capability for:
 - uniform support
 - elimination of foundation, grout, or sole plates



Hydraulic Cylinders used in MX Products are available from third party sources. See Specifications below.

Isolator Model	Cylinder Capacity		Number of Cylinders Required	Cylinder Dimensions				Cylinder Stroke	
				Diameter (max.)		Height (max.)			
	US Tons	MN		inch	mm	inch	mm	inch	mm
24MXLP	30	0.27	2	4	102	4.63	118	2.44	62
25MXLP	50	0.44	2	4.88	124	5	127	2.38	60

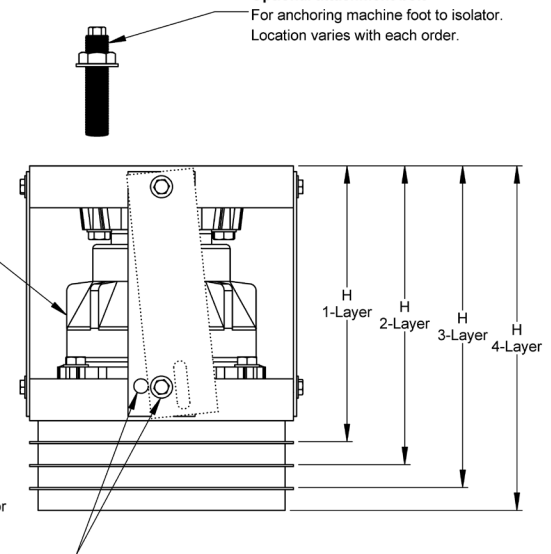
Hydraulic cylinders can be inserted into isolator for precision leveling and alignment of machine. Cylinders are available from Vibro/Dynamics or other hydraulic cylinder providers.



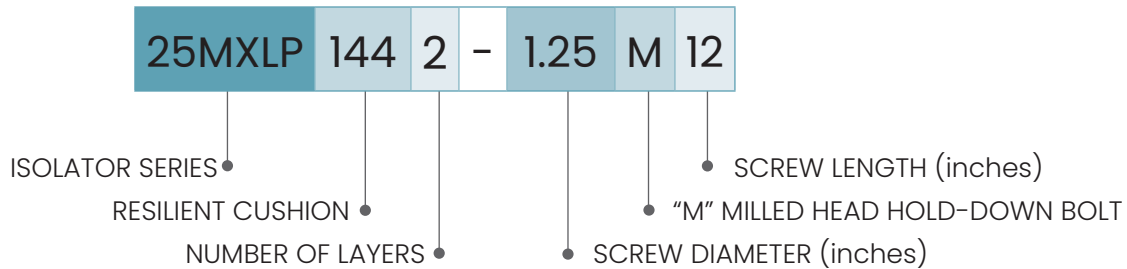
Precision leveling and swivel mechanism

Interlock/Shipping Strap
On the two short sides of the isolator the straps are assembled in the dotted line position to lock the isolator into place during shipping and handling. The straps should be repositioned like those on the long sides prior to leveling.

Optional attachment bolt
For anchoring machine foot to isolator. Location varies with each order.



Isolator		L	W	H ±1/8"			Weight (lbs)	
Series	Model			Min	Max	Installed		
24MXLP	1 Layer	24MXLP0801	22	15.8	16.0	18.0	17.0	728
		24MXLP0951	22	15.8	16.0	18.0	17.0	728
		24MXLP1241	22	15.8	15.6	17.6	16.6	723
25MXLP		25MXLP1441	22	15.8	15.4	17.4	16.4	720
24MXLP	2 Layer	24MXLP0802	22	15.8	17.9	19.9	18.9	780
		24MXLP0952	22	15.8	17.9	19.9	18.9	781
		24MXLP1242	22	15.8	17.2	19.2	18.2	771
25MXLP		25MXLP1442	22	15.8	16.7	18.7	17.7	765
24MXLP	3 Layer	24MXLP0803	22	15.8	19.8	21.8	20.8	831
		24MXLP0953	22	15.8	19.8	21.8	20.8	833
		24MXLP1243	22	15.8	18.7	20.7	19.7	818
25MXLP		25MXLP1443	22	15.8	18.0	20.0	19.0	809
24MXLP	4 Layer	24MXLP0804	22	15.8	21.7	23.7	22.7	872
		24MXLP0954	22	15.8	21.7	23.7	22.7	874
		24MXLP1244	22	15.8	20.3	22.3	21.3	855
25MXLP		25MXLP1444	22	15.8	19.4	21.4	20.4	842



TYPICAL APPLICATIONS

- Presses, Mechanical
- Forging Presses
- Transfer Presses
- Hydraulic Presses
- Isolated Foundations
- Structures

NOTE: Isolator data subject to change without notice.

05/07/2019