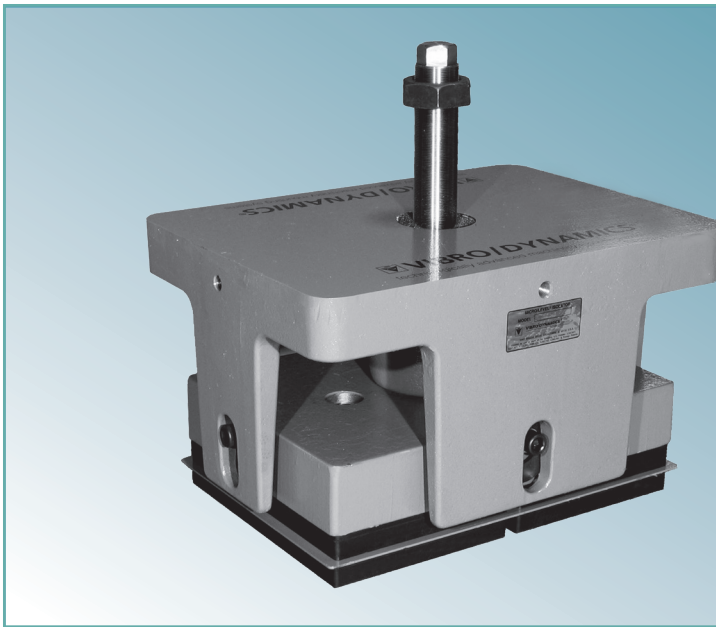
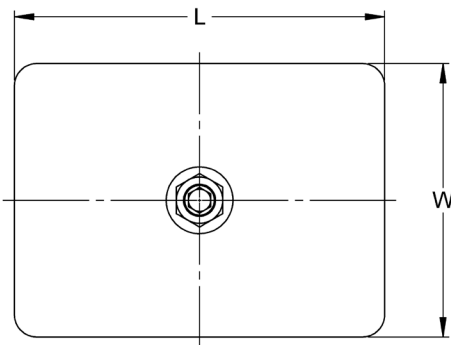


MODEL: 24MXL & 25MXL

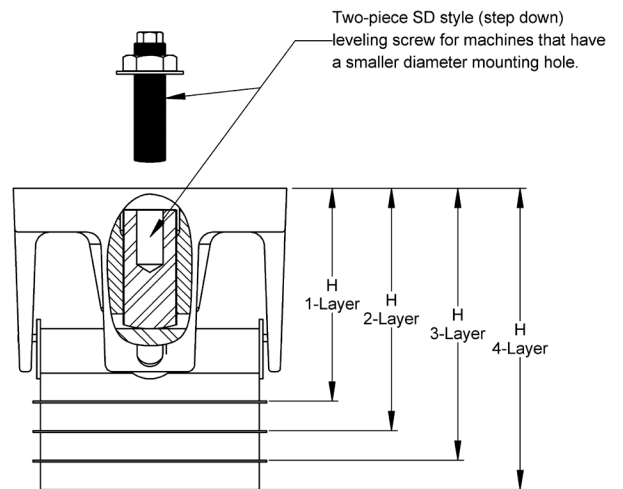
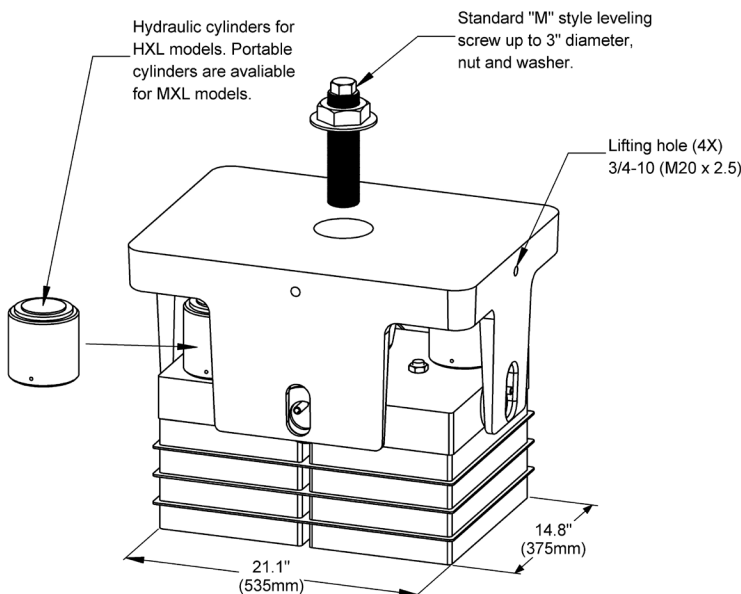


- Excellent isolation for effective control of vibration and shock
- High-performance, multi-layer, modular elastomer construction
- Hydra/Level® Assisted Leveling
 - faster, easier leveling, alignment and elevation adjustment
 - preventative maintenance insurance in the event of foundation settling.
- Integrated precision leveling
 - more precise
 - infinitely adjustable
- Two degree swiveling capability for:
 - uniform support
 - elimination of foundation, grout, or sole plates



Hydraulic Cylinders used in MX Products are available from third party sources. See Specifications below.

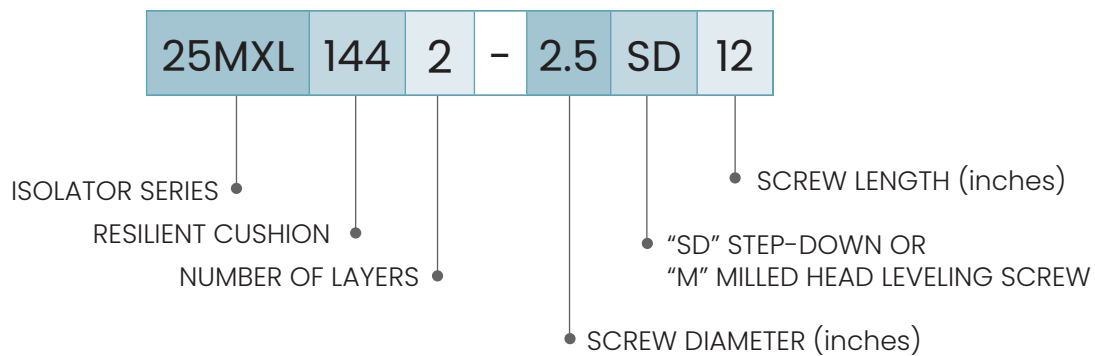
| Isolator Model | Cylinder Capacity | | Number of Cylinders Required | Cylinder Dimensions | | | | Cylinder Stroke | |
|----------------|-------------------|------|------------------------------|---------------------|-----|---------------|-----|-----------------|----|
| | | | | Diameter (max.) | | Height (max.) | | | |
| | US Tons | MN | | inch | mm | inch | mm | inch | mm |
| 24MXL | 30 | 0.27 | 2 | 4 | 102 | 4.63 | 118 | 2.44 | 62 |
| 25MXL | 50 | 0.44 | 2 | 4.88 | 124 | 5 | 127 | 2.38 | 60 |



| Isolator | | L | W | H | | | | Weight (lbs) | |
|----------|---------|-----------|------|------|------|--------|-----------|--------------|-----|
| Series | Model | | | Min | Max | Tol. ± | Installed | | |
| 24MXL | 1 Layer | 24MXL0801 | 24.9 | 18.4 | 13.4 | 14.9 | 0.17 | 14.2 | 792 |
| | | 24MXL0951 | 24.9 | 18.4 | 13.4 | 14.9 | 0.17 | 14.2 | 793 |
| | | 24MXL1241 | 24.9 | 18.4 | 13.0 | 14.5 | 0.17 | 13.8 | 788 |
| 25MXL | 1 Layer | 25MXL1441 | 24.9 | 18.4 | 13.3 | 14.8 | 0.17 | 14.1 | 829 |
| | | 25MXL1601 | 24.9 | 18.4 | 12.9 | 14.4 | 0.17 | 13.7 | 824 |
| 24MXL | 2 Layer | 24MXL0802 | 24.9 | 18.4 | 15.3 | 16.8 | 0.19 | 16.1 | 844 |
| | | 24MXL0952 | 24.9 | 18.4 | 15.3 | 16.8 | 0.19 | 16.1 | 845 |
| | | 24MXL1242 | 24.9 | 18.4 | 14.6 | 16.1 | 0.19 | 15.4 | 835 |
| 25MXL | 2 Layer | 25MXL1442 | 24.9 | 18.4 | 14.6 | 16.1 | 0.19 | 15.4 | 873 |
| | | 25MXL1602 | 24.9 | 18.4 | 13.9 | 15.4 | 0.19 | 14.7 | 862 |
| 24MXL | 3 Layer | 24MXL0803 | 24.9 | 18.4 | 17.1 | 18.6 | 0.21 | 17.9 | 895 |
| | | 24MXL0953 | 24.9 | 18.4 | 17.1 | 18.6 | 0.21 | 17.9 | 897 |
| | | 24MXL1243 | 24.9 | 18.4 | 16.1 | 17.6 | 0.21 | 16.9 | 882 |
| 25MXL | 3 Layer | 25MXL1443 | 24.9 | 18.4 | 15.9 | 17.4 | 0.21 | 16.7 | 918 |
| | | 25MXL1603 | 24.9 | 18.4 | 14.9 | 16.4 | 0.21 | 15.7 | 901 |
| 24MXL | 4 Layer | 24MXL0804 | 24.9 | 18.4 | 19.0 | 20.5 | 0.22 | 19.8 | 936 |
| | | 24MXL0954 | 24.9 | 18.4 | 19.0 | 20.5 | 0.22 | 19.8 | 938 |
| | | 24MXL1244 | 24.9 | 18.4 | 17.7 | 19.2 | 0.22 | 18.5 | 919 |
| 25MXL | 4 Layer | 25MXL1444 | 24.9 | 18.4 | 17.3 | 18.8 | 0.22 | 18.1 | 951 |
| | | 25MXL1604 | 24.9 | 18.4 | 15.9 | 17.4 | 0.22 | 16.7 | 928 |

| Leveling Screw Model | Foot Thickness to: |
|----------------------|--------------------|
| 2.5M14 | 2.1 |
| 2.5M16 | 4.1 |
| 2.75M14 | 1.9 |
| 2.75M16 | 3.9 |
| 3M14 | 1.8 |
| 3M16 | 3.8 |
| 1.5SD8 | 1.5 |
| 1.5SD10 | 3.5 |
| 1.5SD12 | 5.5 |
| 1.5SD14 | 7.5 |
| 1.5SD16 | 9.5 |
| 1.75SD8 | 1.0 |
| 1.75SD10 | 3.0 |
| 1.75SD12 | 5.0 |
| 1.75SD14 | 7.0 |
| 1.75SD16 | 9.0 |
| 2SD10 | 2.5 |
| 2SD12 | 4.5 |
| 2SD14 | 6.5 |
| 2SD16 | 8.5 |

Custom Sizes are Available



- TYPICAL APPLICATIONS**
- Presses, Mechanical
 - Forging Presses
 - Transfer Presses
 - Hydraulic Presses
 - Isolated Foundations
 - Structures

NOTE: Isolator data subject to change without notice.

05/09/2019