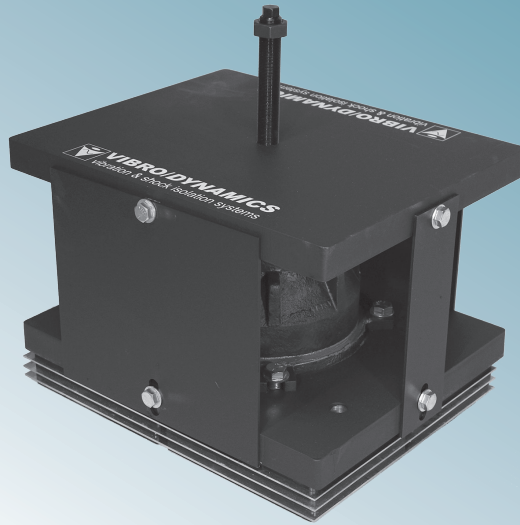
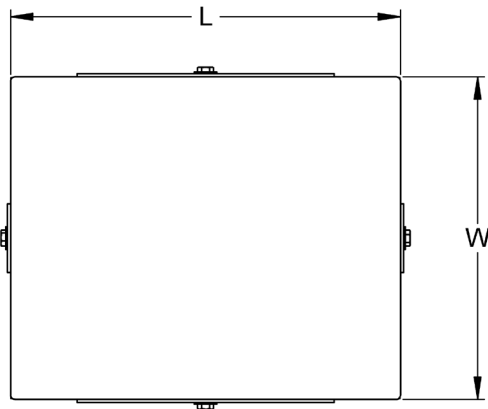


# MODEL: 2512MXLP



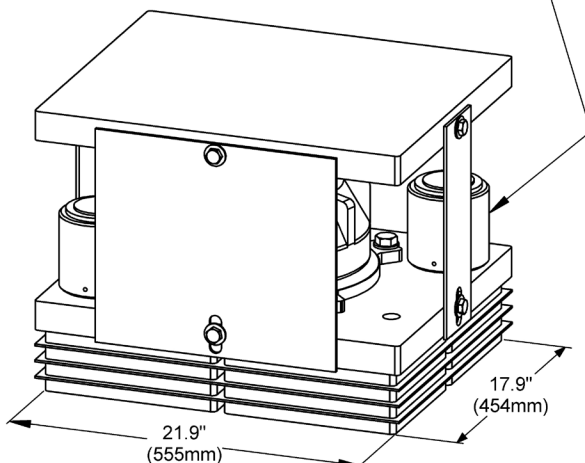
- Excellent isolation for effective control of vibration and shock
- High-performance, multi-layer, modular elastomer construction
- Hydra/Level® Assisted Leveling
  - faster, easier leveling, alignment and elevation adjustment
  - preventative maintenance insurance in the event of foundation settling.
- Integrated precision leveling
  - more precise
  - infinitely adjustable
- Two degree swiveling capability for:
  - uniform support
  - elimination of foundation, grout, or sole plates



Hydraulic Cylinders used in MX Products are available from third party sources. See Specifications below.

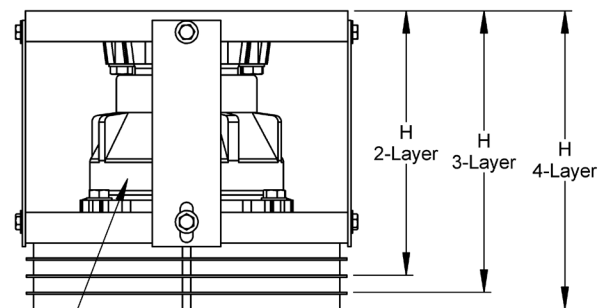
Isolator Model	Cylinder Capacity		Number of Cylinders Required	Cylinder Dimensions				Cylinder Stroke	
				Diameter (max.)		Height (max.)			
	US Tons	MN		inch	mm	inch	mm	inch	mm
2512MXLP	50	0.44	2	4.88	124	5	127	2.38	60

Hydraulic cylinders can be inserted into isolator for precision leveling and alignment of machine. Cylinders are available from Vibro/Dynamics or other hydraulic cylinder provided.



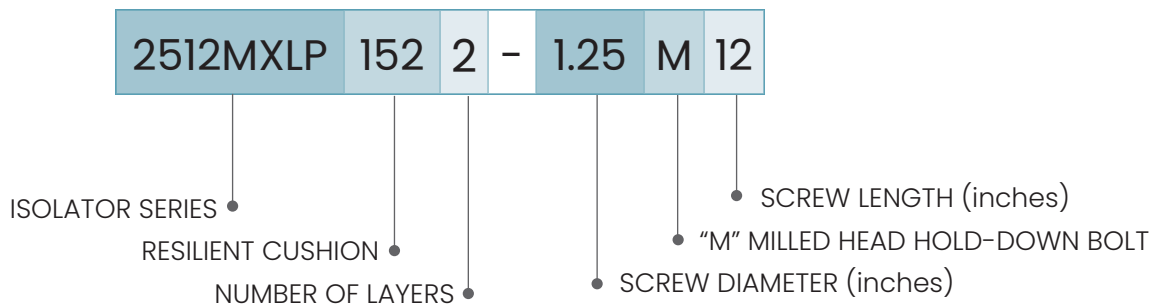
### Optional attachment bolt

For anchoring machine foot to isolator. Location varies with each order.



Precision leveling and swivel mechanism

Isolator		L	W	H ±1/8"			Weight (lbs)	
Series	Model			Min	Max	Installed		
2512MXLP	2 Layer	2512MXLP0882	22.8	18.8	15.6	17.1	16.4	713
		2512MXLP1122	22.8	18.8	15.6	17.1	16.4	713
		2512MXLP1522	22.8	18.8	14.6	16.1	15.2	688
		2512MXLP2162	22.8	18.8	14.0	15.5	14.8	673
	3 Layer	2512MXLP0883	22.8	18.8	17.0	18.5	17.8	353
		2512MXLP1123	22.8	18.8	17.0	18.5	17.8	353
		2512MXLP1523	22.8	18.8	15.5	17.0	16.3	342
		2512MXLP2163	22.8	18.8	14.5	16.0	15.2	335
	4 Layer	2512MXLP0884	22.8	18.8	18.4	19.9	19.2	383
		2512MXLP1124	22.8	18.8	18.4	19.9	19.2	383
		2512MXLP1524	22.8	18.8	16.4	17.9	17.2	372
		2512MXLP2164	22.8	18.8	15.1	16.6	15.9	365



### TYPICAL APPLICATIONS

- Presses, Mechanical
- Forging Presses
- Transfer Presses
- Hydraulic Presses
- Isolated Foundations
- Structures

NOTE: Isolator data subject to change without notice.

05/07/2019