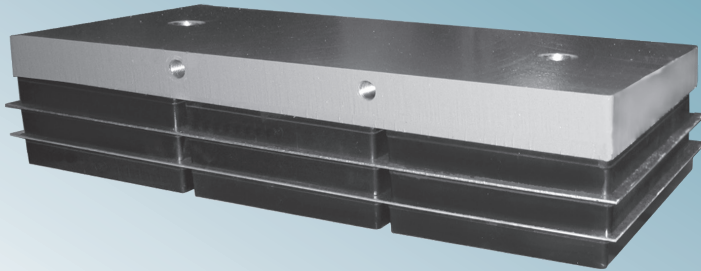
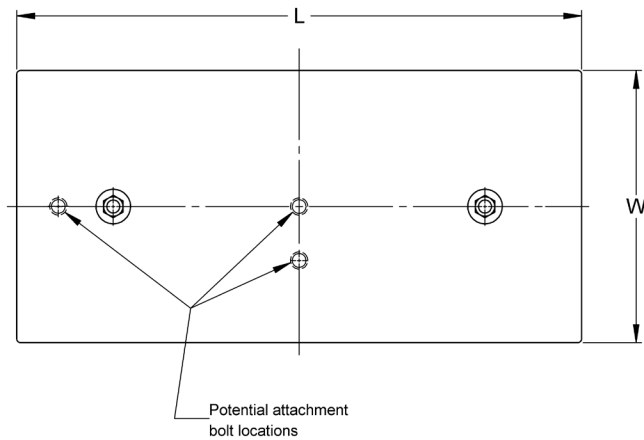


MODEL: 30MXBN & 31MXBN

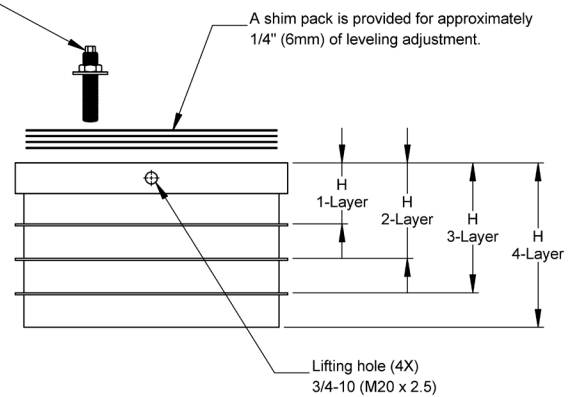
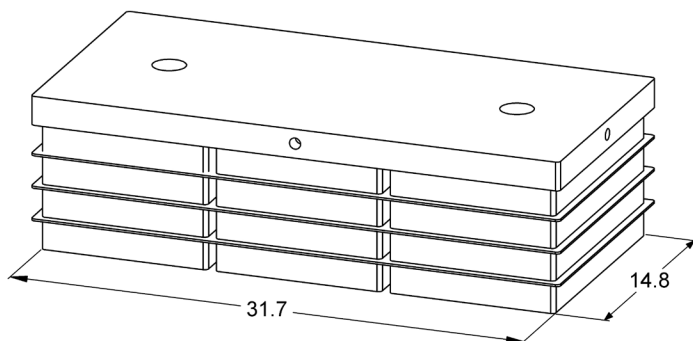


- Excellent isolation for effective control of vibration and shock.
- High-performance, multi-layer, modular elastomer construction.
- Shim leveling using metal shims supplied by Vibro/Dynamics.
- Large anchor bolts not required to keep machine from walking.
- Grout or sole plates are recommended, but usually not required due to wide foundation tilt and slope tolerance.

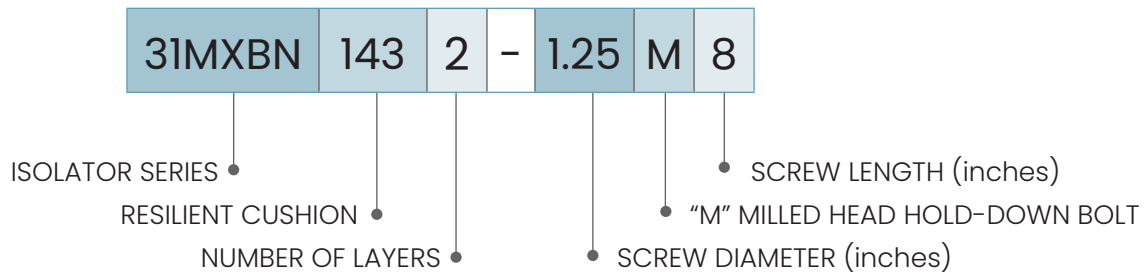
CUSTOM DESIGNS & SIZES ARE AVAILABLE



Optional attachment bolt
For anchoring machine foot to isolator.
Location varies with each order.



Isolator		L	W	H	Foundation Tolerances		Weight (lbs)	
Series	Model			Min. Installed Height ($\pm 1/8"$)	Flatness (inches \pm)	Slope (inches/foot)		
30MXBN	1 Layer	30MXBN1201	32.8	15.7	3.6	0.07	0.03	380
		30MXBN1431	32.8	15.7	3.6	0.07	0.03	379
		30MXBN1861	32.8	15.7	3.2	0.05	0.02	372
31MXBN		31MXBN2161	32.8	15.7	3.0	0.04	0.02	369
30MXBN	2 Layer	30MXBN1202	32.8	15.7	5.5	0.07	0.06	458
		30MXBN1432	32.8	15.7	5.5	0.07	0.06	458
		30MXBN1862	32.8	15.7	4.8	0.05	0.05	443
31MXBN		31MXBN2162	32.8	15.7	4.3	0.04	0.04	437
30MXBN	3 Layer	30MXBN1203	32.8	15.7	7.3	0.07	0.09	536
		30MXBN1433	32.8	15.7	7.3	0.07	0.09	716
		30MXBN1863	32.8	15.7	6.3	0.05	0.07	671
31MXBN		31MXBN2163	32.8	15.7	5.6	0.04	0.06	653
30MXBN	4 Layer	30MXBN1204	32.8	15.7	9.2	0.07	0.12	614
		30MXBN1434	32.8	15.7	9.2	0.07	0.12	854
		30MXBN1864	32.8	15.7	7.8	0.05	0.09	793
31MXBN		31MXBN2164	32.8	15.7	6.9	0.04	0.07	769



TYPICAL APPLICATIONS

- Presses, Mechanical
- Forging Presses
- Transfer Presses
- Hydraulic Presses
- Isolated Foundations
- Structures

NOTE: Isolator data subject to change without notice.

05/09/2019