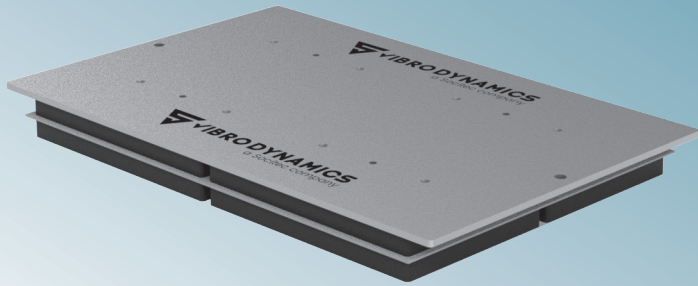
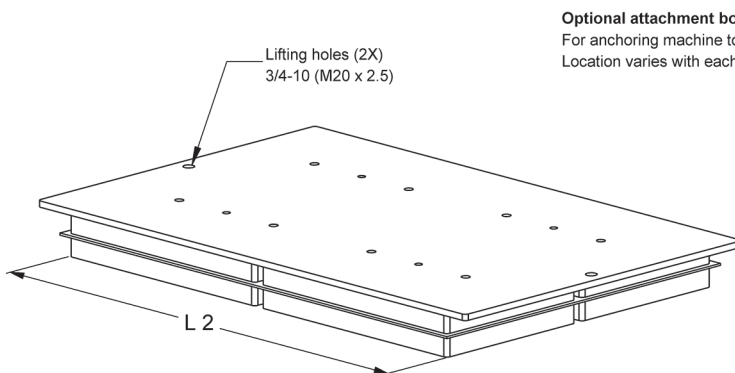
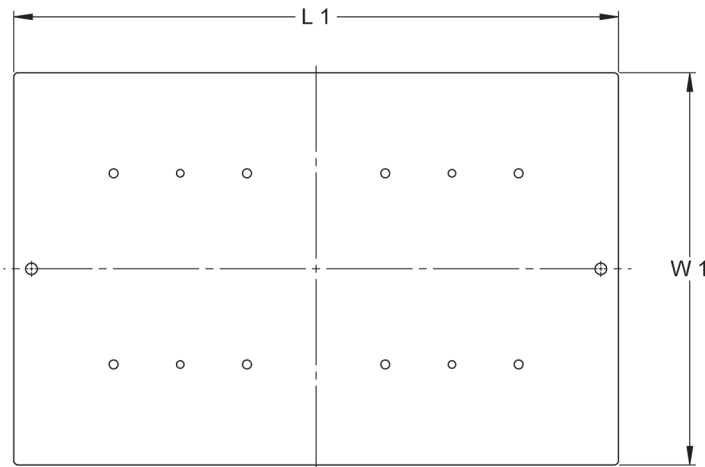


MODEL: 33MXBL & 34MXBL

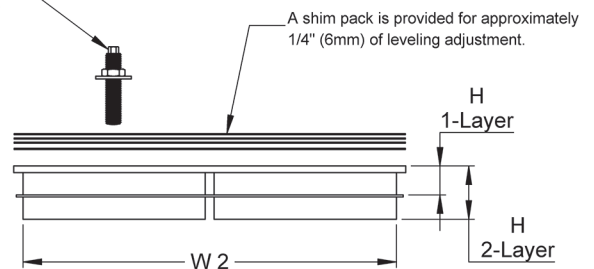


- Excellent isolation for effective control of vibration and shock.
- High-performance, multi-layer, modular elastomer construction.
- Shim leveling using metal shims supplied by Vibro/Dynamics.
- Large anchor bolts not required to keep machine from walking.
- Grout or sole plates are recommended, but usually not required due to wide foundation tilt and slope tolerance.

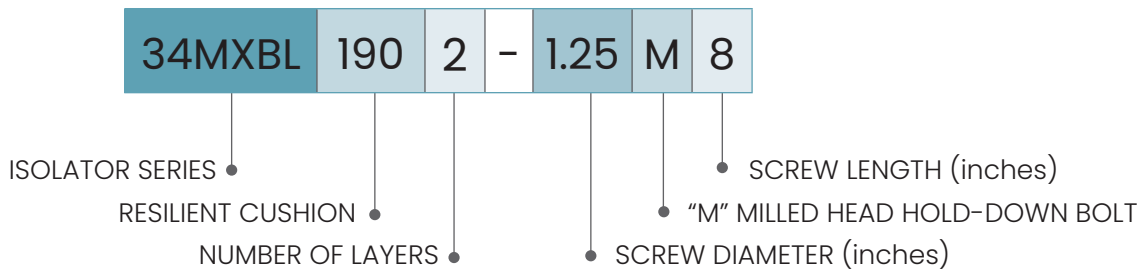
CUSTOM DESIGNS & SIZES ARE AVAILABLE



Optional attachment bolt
For anchoring machine to isolator.
Location varies with each order.



Isolator		L ₁	W ₁	L ₂	W ₂	H	Foundation Tolerances		Weight (lbs)	
Series	Model					Min. Installed Height (± 1/8")	Flatness (inches ±)	Slope (inches/foot)		
33MXBL	1 Layer	33M XBL1601	34.0	22.0	30.0	21.0	2.1	0.07	0.03	250
		33M XBL1901	34.0	22.0	30.0	21.0	2.2	0.07	0.03	250
		33M XBL2481	34.0	22.0	30.0	21.0	1.8	0.05	0.02	235
34MXBL		34M XBL2881	34.0	22.0	30.0	21.0	1.6	0.04	0.02	230
33MXBL	2 Layer	33M XBL1602	34.0	22.0	30.0	21.0	4.0	0.07	0.06	355
		33M XBL1902	34.0	22.0	30.0	21.0	4.1	0.07	0.06	355
		33M XBL2482	34.0	22.0	30.0	21.0	3.3	0.05	0.05	335
34MXBL		34M XBL2882	34.0	22.0	30.0	21.0	2.9	0.04	0.04	320



TYPICAL APPLICATIONS

- Presses, Mechanical
- Forging Presses
- Transfer Presses
- Hydraulic Presses
- Isolated Foundations
- Structures

NOTE: Isolator data subject to change without notice.

03/29/2019