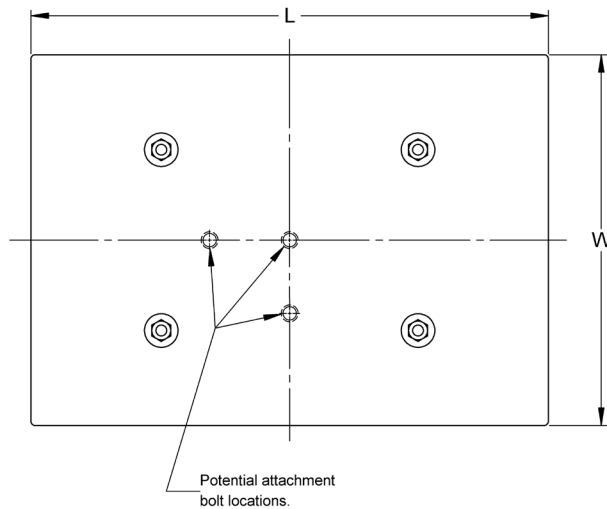


# MODEL: 33MXBN & 34MXBN

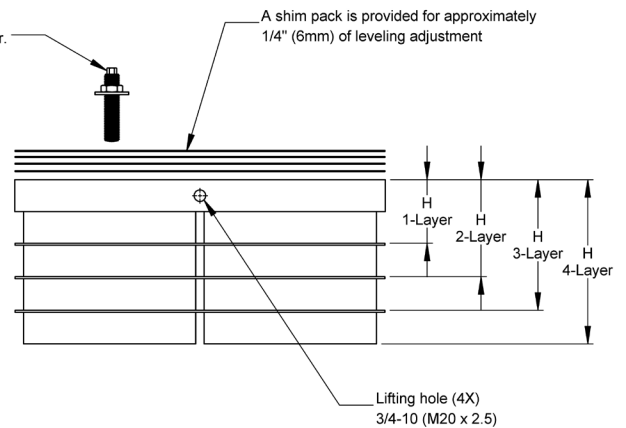
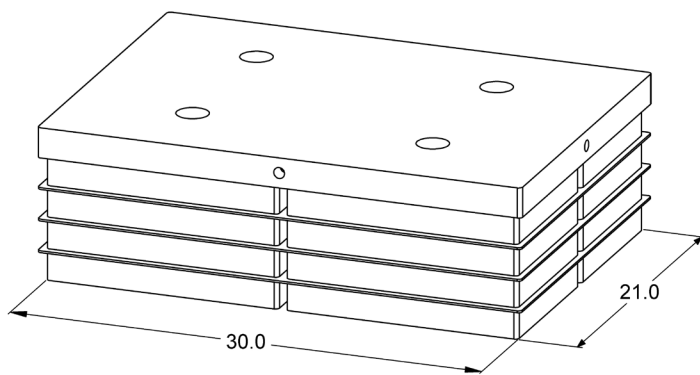


- Excellent isolation for effective control of vibration and shock.
- High-performance, multi-layer, modular elastomer construction.
- Shim leveling using metal shims supplied by Vibro/Dynamics.
- Large anchor bolts not required to keep machine from walking.
- Grout or sole plates are recommended, but usually not required due to wide foundation tilt and slope tolerance.

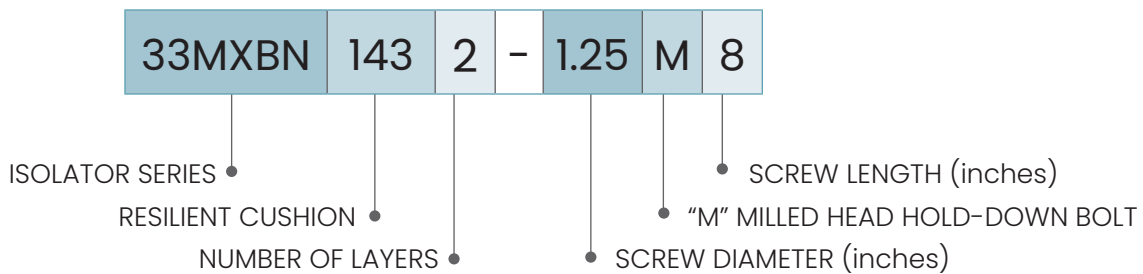
CUSTOM DESIGNS & SIZES ARE AVAILABLE



**Optional attachment bolt**  
For anchoring machine foot to isolator.  
Location varies with each order.



Isolator		L	W	H	Foundation Tolerances		Weight (lbs)	
Series	Model			Min. Installed Height ( $\pm 1/8"$ )	Flatness (inches $\pm$ )	Slope (inches/foot)		
33MXBN	1 Layer	33MXBN1601	30.8	22	3.7	0.07	0.03	465
		33MXBN1901	30.8	22	3.7	0.07	0.03	465
		33MXBN2481	30.8	22	3.3	0.05	0.02	455
34MXBN	1 Layer	34MXBN2881	30.8	22	3.1	0.04	0.02	451
		34MXBN3201	30.8	22	2.7	0.03	0.01	441
33MXBN	2 Layer	33MXBN1602	30.8	22	5.6	0.07	0.06	570
		33MXBN1902	30.8	22	5.6	0.07	0.06	570
		33MXBN2482	30.8	22	4.9	0.05	0.05	549
34MXBN	2 Layer	34MXBN2882	30.8	22	4.4	0.04	0.04	541
		34MXBN3202	30.8	22	3.7	0.03	0.02	521
33MXBN	3 Layer	33MXBN1603	30.8	22	7.5	0.07	0.09	674
		33MXBN1903	30.8	22	7.5	0.07	0.09	674
		33MXBN2483	30.8	22	6.4	0.05	0.07	643
34MXBN	3 Layer	34MXBN2883	30.8	22	5.7	0.04	0.06	631
		34MXBN3203	30.8	22	4.7	0.03	0.04	601
33MXBN	4 Layer	33MXBN1604	30.8	22	9.4	0.07	0.12	777
		33MXBN1904	30.8	22	9.4	0.07	0.12	777
		33MXBN2484	30.8	22	8.0	0.05	0.09	737
34MXBN	4 Layer	34MXBN2884	30.8	22	7.1	0.04	0.07	721
		34MXBN3204	30.8	22	5.7	0.03	0.05	680



### TYPICAL APPLICATIONS

- Presses, Mechanical
- Forging Presses
- Transfer Presses
- Hydraulic Presses
- Isolated Foundations
- Structures

**NOTE: Isolator data subject to change without notice.**

**05/09/2019**