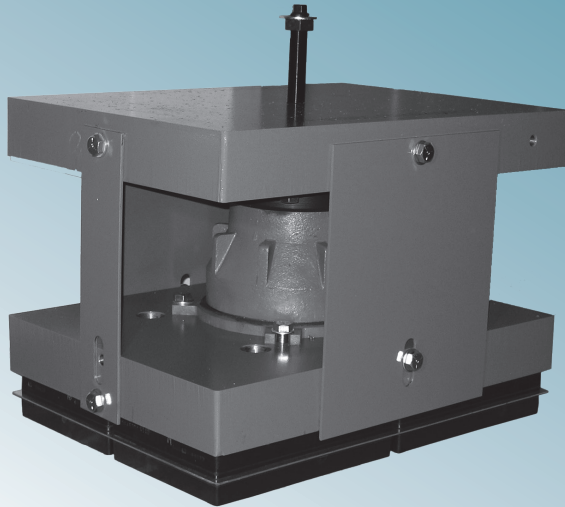
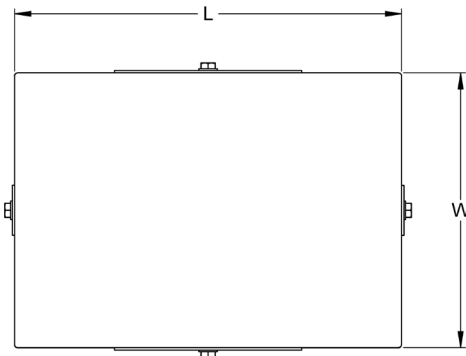


MODEL: 33MXLP & 34MXLP

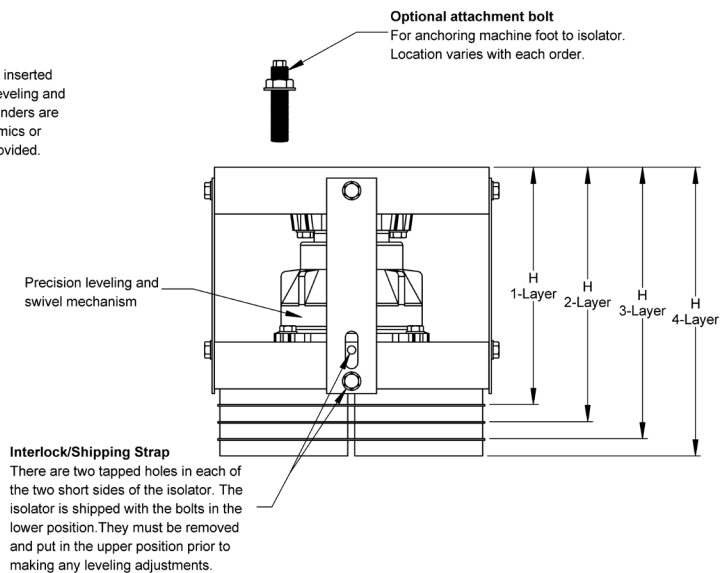
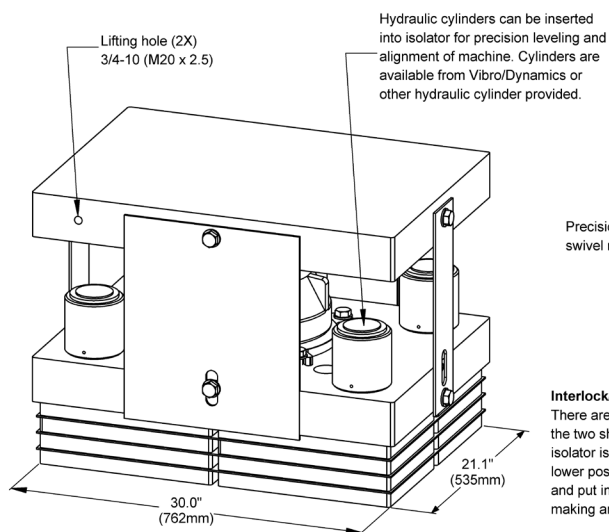


- Excellent isolation for effective control of vibration and shock
- High-performance, multi-layer, modular elastomer construction
- Hydra/Level® Assisted Leveling
 - faster, easier leveling, alignment and elevation adjustment
 - preventative maintenance insurance in the event of foundation settling.
- Integrated precision leveling
 - more precise
 - infinitely adjustable
- Two degree swiveling capability for:
 - uniform support
 - elimination of foundation, grout, or sole plates

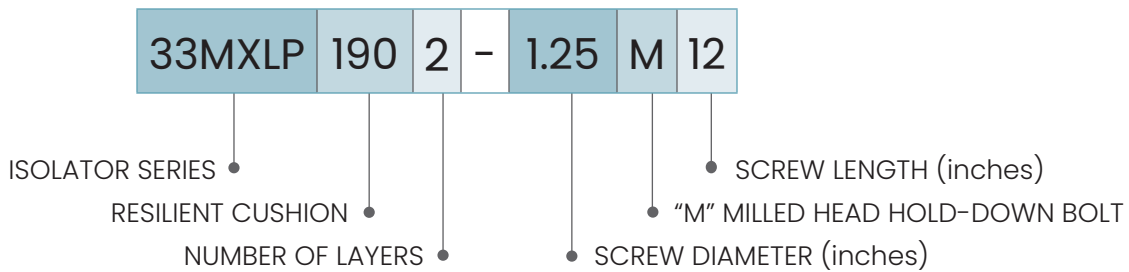


Hydraulic Cylinders used in MX Products are available from third party sources. See Specifications below.

Isolator Model	Cylinder Capacity		Number of Cylinders Required	Cylinder Dimensions				Cylinder Stroke	
				Diameter (max.)		Height (max.)			
	US Tons	MN		inch	mm	inch	mm	inch	mm
33MXLP	124	1.10	4	8.8	224	8.3	211	2.38	60
34MXLP	144	1.28	4	8.8	224	8.3	211	2.38	60



Isolator		L	W	H ±1/8"			Weight (lbs)	
Series	Model			Min	Max	Installed		
33MXLP	1 Layer	33MXLP1601	31.0	22.0	18.5	20.5	19.5	1732
		33MXLP1901	31.0	22.0	18.5	20.5	19.5	1733
		33MXLP2481	31.0	22.0	18.2	20.2	19.2	1723
34MXLP	1 Layer	34MXLP2881	31.0	22.0	17.9	19.9	18.9	1717
		34MXLP3201	31.0	22.0	17.5	19.5	18.5	1706
33MXLP	2 Layer	33MXLP1602	31.0	22.0	20.5	22.5	21.5	1841
		33MXLP1902	31.0	22.0	20.5	22.5	21.5	1843
		33MXLP2482	31.0	22.0	19.8	21.8	20.8	1824
34MXLP	2 Layer	34MXLP2882	31.0	22.0	19.3	21.3	20.3	1811
		34MXLP3202	31.0	22.0	18.5	20.5	19.5	1788
33MXLP	3 Layer	33MXLP1603	31.0	22.0	22.5	24.5	23.5	1944
		33MXLP1903	31.0	22.0	22.5	24.5	23.5	1948
		33MXLP2483	31.0	22.0	21.4	23.4	22.4	1919
34MXLP	3 Layer	34MXLP2883	31.0	22.0	20.7	22.7	21.7	1900
		34MXLP3203	31.0	22.0	19.5	21.5	20.5	1865
33MXLP	4 Layer	33MXLP1604	31.0	22.0	24.5	26.5	25.5	2048
		33MXLP1904	31.0	22.0	24.5	26.5	25.5	2052
		33MXLP2484	31.0	22.0	23.1	25.1	24.1	2013
34MXLP	4 Layer	34MXLP2884	31.0	22.0	22.1	24.1	23.1	1988
		34MXLP3204	31.0	22.0	20.5	22.5	21.5	1942



TYPICAL APPLICATIONS

- Presses, Mechanical
- Forging Presses
- Transfer Presses
- Hydraulic Presses
- Isolated Foundations
- Structures

NOTE: Isolator data subject to change without notice.

05/07/2019