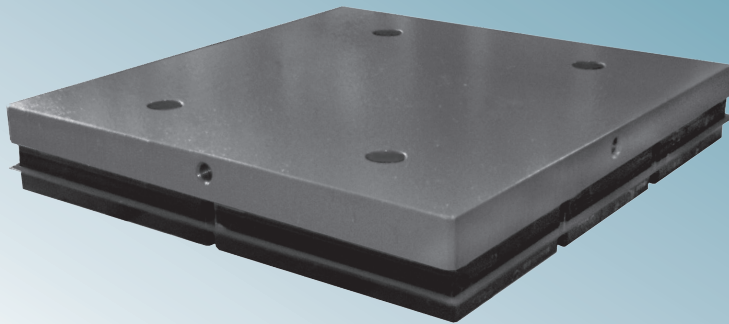
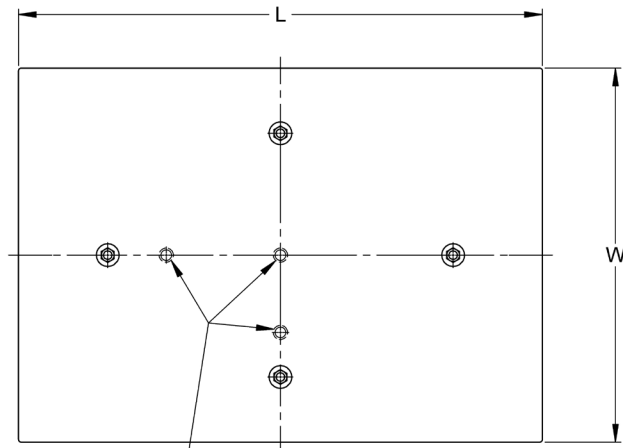


MODEL: 48MXBN & 50MXBN



- Excellent isolation for effective control of vibration and shock.
- High-performance, multi-layer, modular elastomer construction.
- Shim leveling using metal shims supplied by Vibro/Dynamics.
- Large anchor bolts not required to keep machine from walking.
- Grout or sole plates are recommended, but usually not required due to wide foundation tilt and slope tolerance.

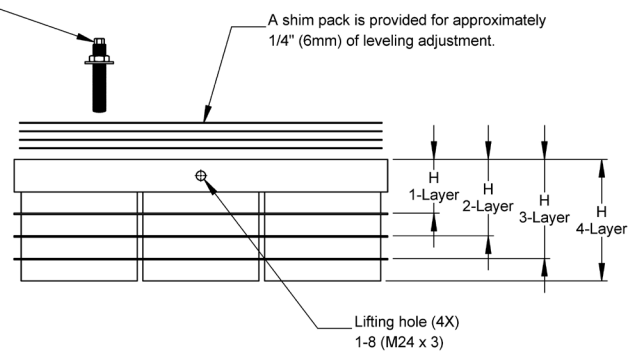
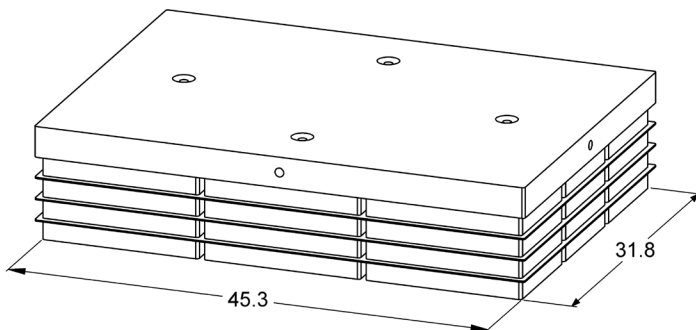
CUSTOM DESIGNS & SIZES ARE AVAILABLE



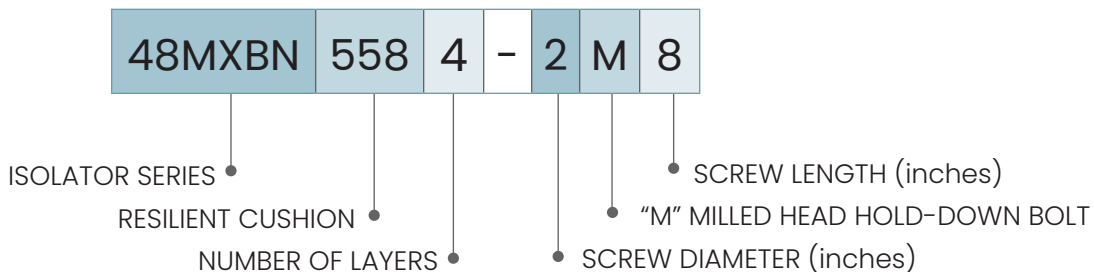
Potential attachment bolt locations.

Optional attachment bolt
For anchoring machine foot to isolator.
Location varies with each order.

A shim pack is provided for approximately 1/4" (6mm) of leveling adjustment.



Isolator		L	W	H	Foundation Tolerances		Weight (lbs)	
Series	Model			Min. Installed Height ($\pm 1/8"$)	Flatness (inches \pm)	Slope (inches/foot)		
48MXBN	1 Layer	48MXBN4281	46.3	33.0	4.7	0.07	0.02	1493
		48MXBN5581	46.3	33.0	4.3	0.05	0.02	1493
50MXBN		50MXBN6481	46.3	33.0	4.1	0.04	0.01	1470
48MXBN	2 Layer	48MXBN4282	46.3	33.0	6.6	0.07	0.04	1725
		48MXBN5582	46.3	33.0	5.9	0.05	0.03	1725
50MXBN		50MXBN6482	46.3	33.0	5.4	0.04	0.03	1680
48MXBN	3 Layer	48MXBN4283	46.3	33.0	8.5	0.07	0.06	1956
		48MXBN5583	46.3	33.0	7.4	0.05	0.05	1956
50MXBN		50MXBN6483	46.3	33.0	6.7	0.04	0.04	1888
48MXBN	4 Layer	48MXBN4284	46.3	33.0	10.4	0.07	0.08	2188
		48MXBN5584	46.3	33.0	9.0	0.05	0.06	2187
50MXBN		50MXBN6484	46.3	33.0	8.0	0.04	0.05	2096



TYPICAL APPLICATIONS

- Presses, Mechanical
- Forging Presses
- Transfer Presses
- Hydraulic Presses
- Isolated Foundations
- Structures

NOTE: Isolator data subject to change without notice.

05/09/2019