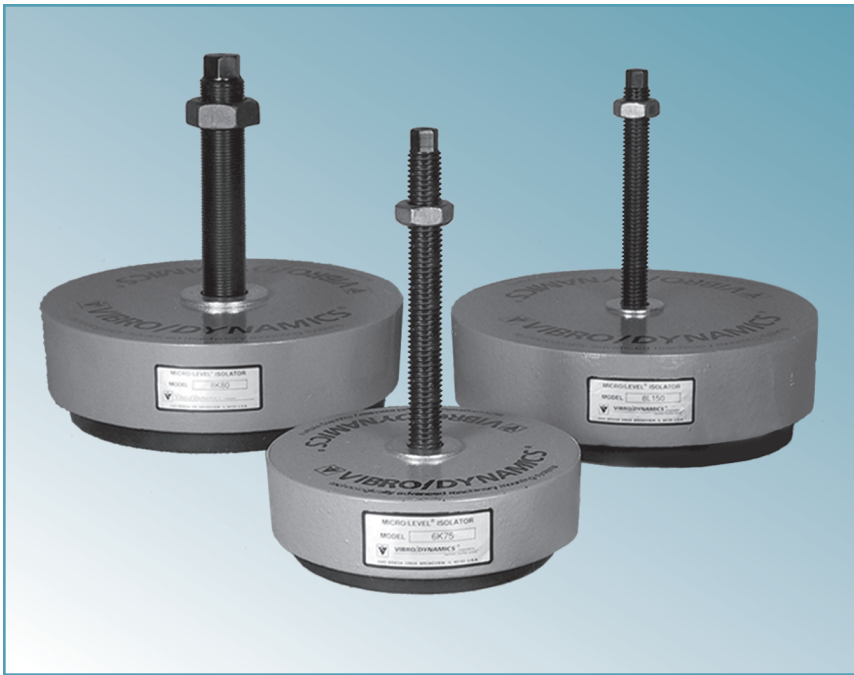
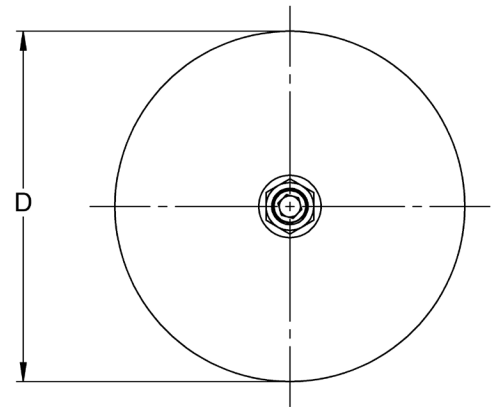
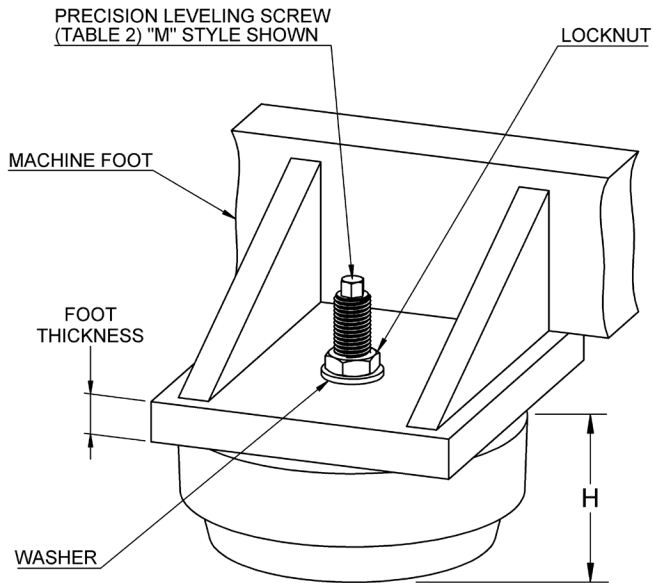


MICRO/LEVEL ISOLATORS: 6-8 SERIES



- Elastomer vibration & shock mount
 - protects environment against transmitted vibration & shock
 - protects sensitive equipment from incoming vibration & shock
 - faster, easier installations compared to grouting & anchoring
- Vertical leveling screw
 - secures mount to machine foot
 - provides precision leveling
 - compensates for sloping floor
- Proper machine support
- Proprietary elastomer cushions
 - oil and chemical resistant
 - multiple hardness & thickness for better isolation effectiveness
 - neoprene, nitrile standard compounds
- Meets OSHA anchoring requirements



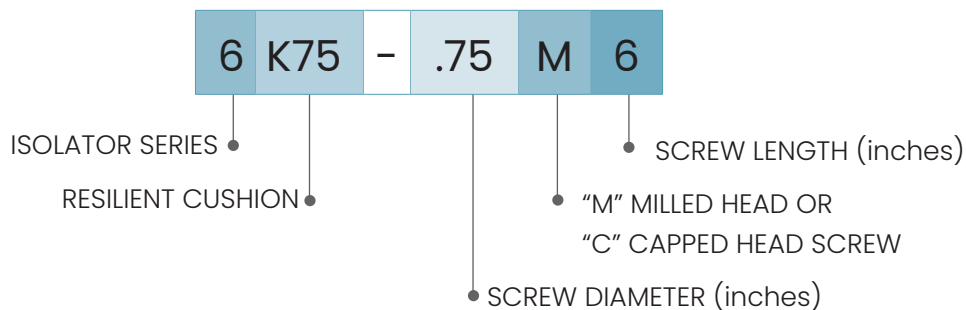
TYPICAL APPLICATIONS

- | | | | |
|--------------------------|------------|---------------------|---------------------|
| • Punch Presses | • Shears | • Broaching | • Vertical Lathes |
| • OBI, Gap Frame Presses | • Grinders | • Die Casters | • Machining Centers |
| • Turret Punch Presses | • Mills | • Injection Molders | • Generators |
| • Press Brakes | • Swagers | • Cold Headers | • CMM |

Isolator		D	H ±1/8"			Weight (lbs)
Series	Model		Min	Max	Installed	
6	6L17	5.6	1.75	2.25	2.00	5.0
	6L25	5.6	1.75	2.25	2.00	5.0
	6L40	5.6	1.75	2.25	2.00	5.0
	6K60	5.6	1.88	2.38	2.13	5.4
	6K75	5.6	1.88	2.38	2.13	5.4
	6K100	5.6	1.88	2.38	2.13	5.4
	6M4	5.6	2.50	3.00	2.75	5.5
	6M7	5.6	2.50	3.00	2.75	5.5
	6M10	5.6	2.50	3.00	2.75	5.5
	6M15	5.6	2.50	3.00	2.75	5.5
	6M22	5.6	2.50	3.00	2.75	5.5
8	8L70	8.2	2.50	3.25	2.88	15.1
	8L100	8.2	2.50	3.25	2.88	15.1
	8L150	8.2	2.50	3.25	2.88	15.1
	8L220	8.2	2.50	3.25	2.88	15.1
	8K60	8.2	2.38	3.13	2.75	15.7
	8K80	8.2	2.38	3.13	2.75	15.7
	8M32	8.2	3.13	3.88	3.50	16.1
	8M55	8.2	3.13	3.88	3.50	16.1
	8M85	8.2	3.13	3.88	3.50	16.1

Leveling Screw	Foot Thickness Up To:		Weight (lbs.)
	6 series	8 series	
.375C4	2.4		0.1
.375C6	4.4		0.2
.5M3	1.3		0.2
.5M5	3.3		0.3
.5M8	6.3		0.4
.625M4	2.2	1.5	0.4
.625M5	3.2	2.5	0.4
.625M6	4.2	3.5	0.5
.625M8	6.2	5.5	0.7
.75M4		1.5	0.5
.75M6		3.5	0.7
.75M8		5.5	1.0
1M4		1.4	1.2
1M5		2.4	1.3
1M6		3.4	1.5
1M8		5.4	1.9
1M10		7.4	2.3

Other Stock & Custom Lengths Available



NOTE: Isolator data subject to change without notice.

05/02/2019