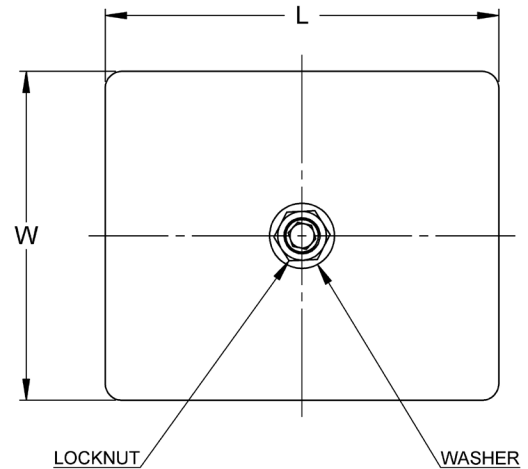
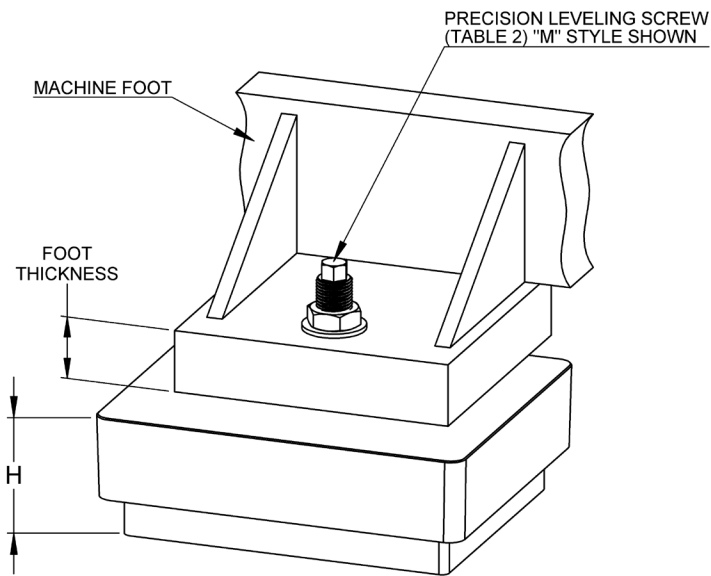


MICRO/LEVEL ISOLATORS: 9-10 SERIES



- Elastomer vibration & shock mount
 - protects environment against transmitted vibration & shock
 - protects sensitive equipment from incoming vibration & shock
 - faster, easier installations compared to grouting & anchoring
- Vertical leveling screw
 - secures mount to machine foot
 - provides precision leveling
 - compensates for sloping floor
- Proper machine support
- Proprietary elastomer cushions
 - oil and chemical resistant
 - multiple hardness & thickness for better isolation effectiveness
 - neoprene, nitrile standard compounds
- Meets OSHA anchoring requirements



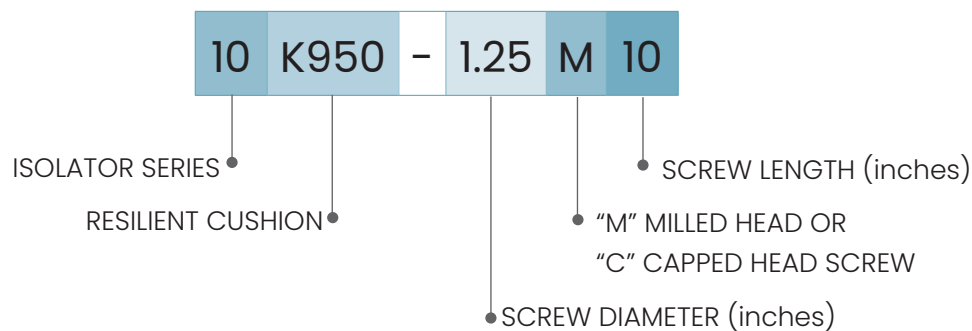
TYPICAL APPLICATIONS

- | | | | |
|---------------------------|----------------|---------------------|---------------------|
| • Presses, Mechanical | • Press brakes | • Swagers | • Cold Headers |
| • Forging Presses | • Shears | • Broaching | • Vertical Lathes |
| • Metal Container Presses | • Grinders | • Die Casters | • Machining Centers |
| • Turret Punch Presses | • Mills | • Injection Molders | • Generators |

Isolator		L	W	H ±1/8"			Weight (lbs)
Series	Model			Min	Max	Installed	
9	9L180	10.3	8.3	3.13	3.88	3.51	31
	9L250	10.3	8.3	3.13	3.88	3.51	31
	9L350	10.3	8.3	3.13	3.88	3.51	31
	9K225	10.3	8.3	2.75	3.50	3.13	32
	9K275	10.3	8.3	2.75	3.50	3.13	32
	9K375	10.3	8.3	2.75	3.50	3.13	32
	9M780	10.3	8.3	3.75	4.50	4.13	32
	9M880	10.3	8.3	3.75	4.50	4.13	32
10	10M800	12.1	10.1	4.00	4.75	4.38	53
	10M1200	12.1	10.1	4.00	4.75	4.38	53
	10L200	12.1	10.1	3.38	4.13	3.75	53
	10L450	12.1	10.1	3.38	4.13	3.75	53
	10L600	12.1	10.1	3.38	4.13	3.75	53
	10L900	12.1	10.1	3.38	4.13	3.75	53
	10LK900	12.1	10.1	3.63	4.38	4.00	56
	10K650	12.1	10.1	3.25	4.00	3.63	58
	10K950	12.1	10.1	3.25	4.00	3.63	58

Leveling Screw	Foot Thickness Up To:		Weight (lbs.)
	9 series	10 series	
.625M4	1.0		0.4
.625M5	2.0		0.4
.625M6	3.0		0.5
.625M8	5.0		0.7
.75M4	1.1	0.9	0.5
.75M5	2.1	1.9	0.9
.75M6	3.1	2.9	1.1
.75M8	5.1	4.9	1.5
.75M10	7.1	6.9	1.8
1M4	1.0	0.8	1.2
1M5	2.0	1.8	1.3
1M6	3.0	2.8	1.5
1M8	5.0	4.8	1.9
1.125M6	2.9	2.7	1.9
1.125M8	4.9	4.7	2.4
1.125M10	6.9	6.7	2.9
1.25M6		2.6	2.5
1.25M8		4.6	3.1
1.25M10		6.6	3.7
1.5M7		3.4	4.4
1.5M8		4.4	4.8
1.5M10		6.4	5.8
1.5M12		8.4	6.7

Other Stock & Custom Lengths Available



NOTE: Isolator data subject to change without notice.

06/26/2019