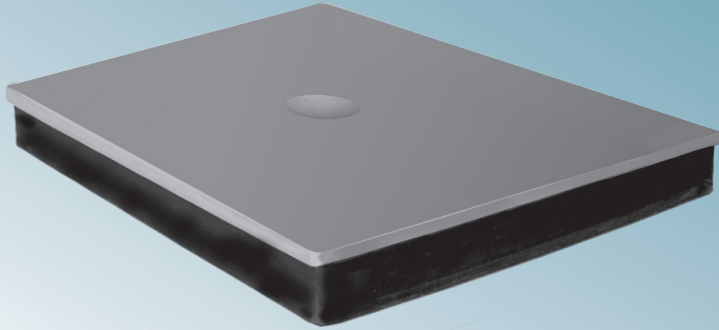
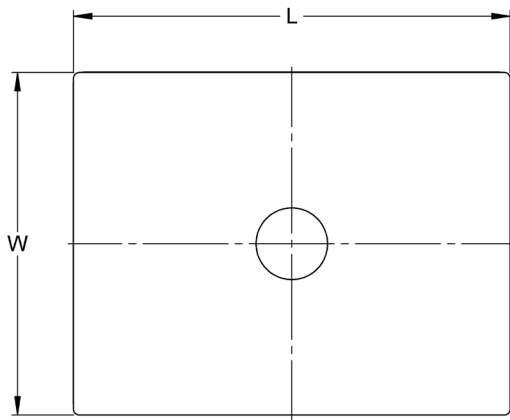


JACK-SCREW TYPE MOUNTS: 9i & 10i



- Elastomer vibration & shock mount
 - protects environment against transmitted vibration & shock
 - protects sensitive equipment from incoming vibration & shock
- Jack-screw style leveling screw
- Proper machine support
- Proprietary elastomer cushions
 - oil and chemical resistant
 - multiple hardness & thickness for better isolation effectiveness
 - neoprene, nitrile standard compounds
- Meets OSHA anchoring requirements

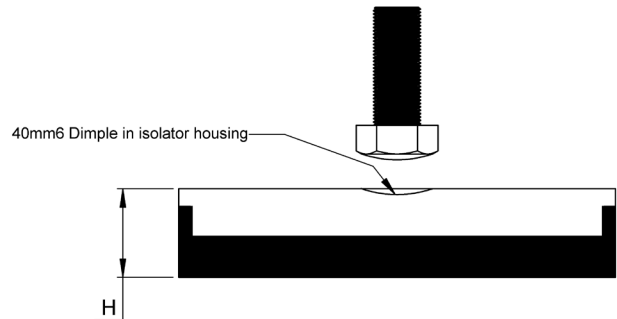
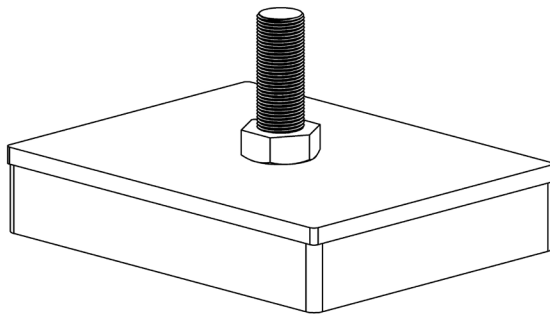
CUSTOM DESIGNS & SIZES ARE AVAILABLE



IT*	IT*	I
ITM*	ITM*	IM

I = Leveling Screw Style
 T = Top Hex Option
 M = Metric Thread

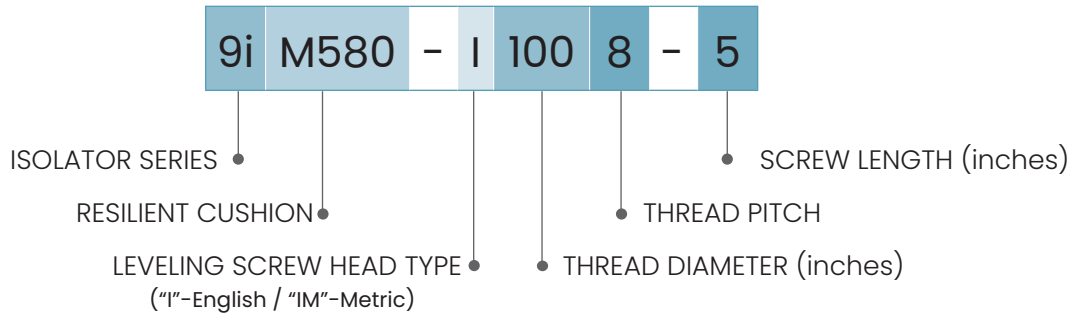
* All IT & ITM screws will be capped head unless threads are a standard M-style leveling screw.



TYPICAL APPLICATIONS

- | | | | |
|----------------|----------------|---------------------|--------------------------|
| • Press Brakes | • Mills | • Broaching | • Vertical Turret Lathes |
| • Shears | • Swagers | • Die Casters | • Machining Centers |
| • Grinders | • Cold Headers | • Injection Molders | • Generators |

Isolator		L	W	H ±1/8"	Weight (lbs)
Series	Model				
9i	9iL180	9.3	7.3	1.9	20
	9iL250	9.3	7.3	1.9	20
	9iL350	9.3	7.3	1.9	20
	9iK275	9.3	7.3	1.5	20
	9iK375	9.3	7.3	1.5	19
	9iM780	9.3	7.3	2.5	18
	9iM880	9.3	7.3	2.5	18
10i	10iL450	10.8	8.8	2.4	32
	10iL600	10.8	8.8	2.4	32
	10iL900	10.8	8.8	2.4	29
	10iK650	10.8	8.8	2.2	29
	10iK950	10.8	8.8	2.2	30
	10iM800	10.8	8.8	3.0	28
	10iM1200	10.8	8.8	3.0	28



Installation Instructions

1. The floor under the isolator should be flat, clean, and dry with no bumps, holes, or cracks.
2. Thread leveling screws into the suspended machine base.
3. Leveling screw styles with the letter "T" in the model number thread in from the top. Other styles thread in from the bottom.
4. Carefully lower the machine into place.
5. For isolators equipped with "I" style or customer supplied leveling screws, make sure that the bottom of the leveling screw is centered in the dimple of the isolator housing.
6. Level the machine by turning the leveling screws into and out of the machine base. Do not over adjust and make sure the leveling screw threads are fully engaged in the machine base.

NOTE: Isolator data subject to change without notice.

05/06/2019