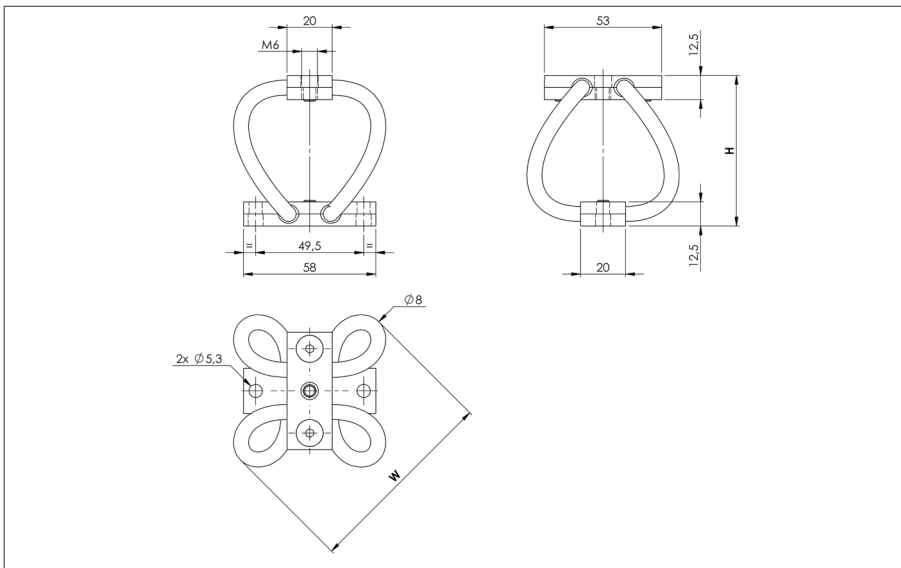


WIRE ROPE ISOLATORS: MACHINED LINE "POLYCAL"

PERFORMANCES
series AP10/SP10



- All metal multidirectional anti-vibration/shock mounts.
- Exceptional reliability and long life.
- High damping.
- No ageing.
- Corrosion resistant.
- Unequalled temperature range : -180°C +300°C.
- Cheap and quick prototypes from stock.

Dimensions are in mm. For reference only.

SERIES Materials and finishes	
AP10 Cable: stainless steel. Bars: aluminium alloy/surtec 650. Screws: Alloy steel/zinc plate (Inserts: alloy steel/zinc plate)	SP10 Cable: stainless steel. Bars: stainless steel. Screws: stainless steel.
Other materials on request	

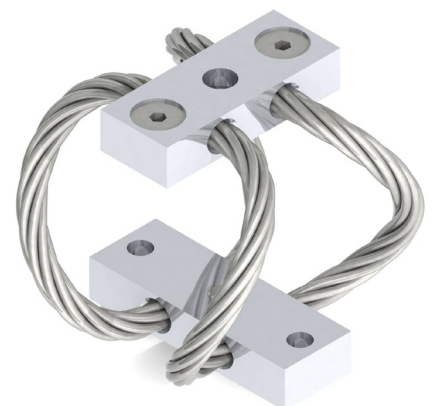
MODEL	AP10	SP10		
	height h (mm)	width w (mm)	mass (kg)	mass (kg)
-145	59	82	0,207	0,292
-165	65	87	0,224	0,309
-190	73	95	0,244	0,329
-220	83	105	0,267	0,352
-250	92	114	0,291	0,378

EXAMPLE
AP10-250



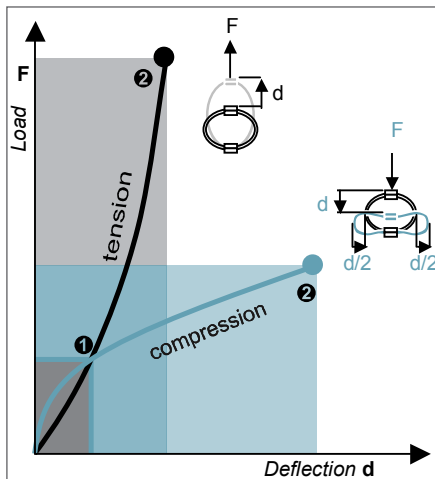
PREFIX:
machined 'Polycal'
mount
from the AP10 series

MODEL: -250
height: 92 mm
width: 114 mm
mass: 0,291 kg



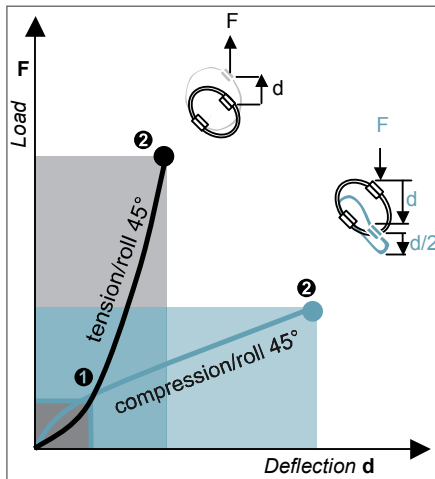
WIRE ROPE ISOLATORS: MACHINED LINE “POLYCAL”

PERFORMANCES
series AP10/SP10



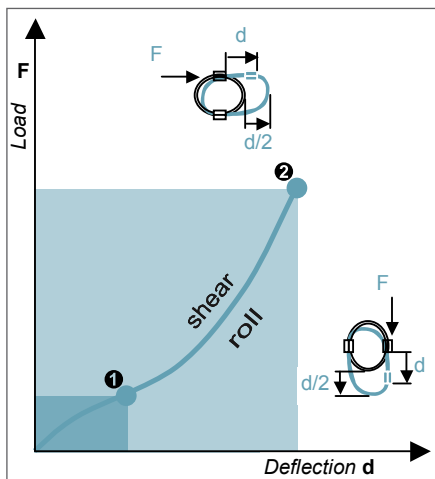
COMPRESSION AND TENSION

AP10/SP10 Series	Model	-145	-165	-190	-220	-250			
1. Max Static	F daN	25,6	21,8	18,5	15,7	13,4			
	d mm	5,6	6,6	8,0	9,6	11,1			
2. Max Shock	F daN	77	66	56	47	40			
	d mm	31	36	43	52	60			
3. Max Vibration	2a mm	3,4	4,0	4,8	5,8	6,7			
	f Hz	7	6	6	5	5			
1. Max Static	F daN	25,6	21,9	18,6	15,7	13,4			
	d mm	4,4	5,2	6,3	7,6	8,8			
2. Max Shock	F daN	172	147	124	105	90			
	d mm	15	18	22	26	30			
3. Max Vibration	2a mm	1,8	2,1	2,5	3,0	3,5			
	f Hz	9	8	7	6	6			



COMPRESSION/ROLL 45° - TENSION/ROLL 45°

AP10/SP10 Series	Model	-145	-165	-190	-220	-250			
1. Max Static	F daN	18,1	15,4	13,1	11,1	9,4			
	d mm	8,0	9,4	11,3	13,6	15,7			
2. Max Shock	F daN	54	46	39	33	28			
	d mm	43	51	61	74	85			
3. Max Vibration	2a mm	4,8	5,6	6,8	8,2	9,4			
	f Hz	6	5	5	4	4			
1. Max Static	F daN	16,4	14,0	11,9	10,1	8,6			
	d mm	5,4	6,4	7,6	9,2	10,7			
2. Max Shock	F daN	118	101	85	72	62			
	d mm	19	23	27	33	38			
3. Max Vibration	2a mm	2,2	2,5	3,1	3,7	4,3			
	f Hz	8	7	6	6	5			



SHEAR OR ROLL

AP10/SP10 Series	Model	-145	-165	-190	-220	-250			
1. Max Static	F daN	12,1	10,3	8,8	7,4	6,3			
	d mm	9,7	11,4	13,7	16,5	19,1			
2. Max Shock	F daN	77	66	56	47	40			
	d mm	32	38	45	55	63			
3. Max Vibration	2a mm	3,9	4,6	5,5	6,6	7,6			
	f Hz	6	5	5	4	4			

1. Max static load (F) with corresponding deflection (d)
2. Max shock load (F) with corresponding deflection (d)
3. Uncoupled resonant frequency (f) under max static loading 1. and max peak to peak sinusoidal vibration input (2a)

* **IMPORTANT:** Performance characteristics are given here for reference only. They can be increased under specific conditions. **Contact us.**

TYPICAL SHOCK/VIBRATION SPECIFICATIONS:

Ground Forces	GAM EG13A, SEFT 001, MIL-STD-810, VG 95332.
Air	AIR 7306, MIL-E-5400, MIL-C-172, MIL-STD-810.
Marine	GAM EG13C, IT25-21/96-31/15-86, MIL-S-167, MIL-S-901, STANAG 042, BV 043.73, BV 044.
Others	GAM EMB1, GAM EMBT4, DEF STAN 07-55, IEC 571, FINABEL 2C.