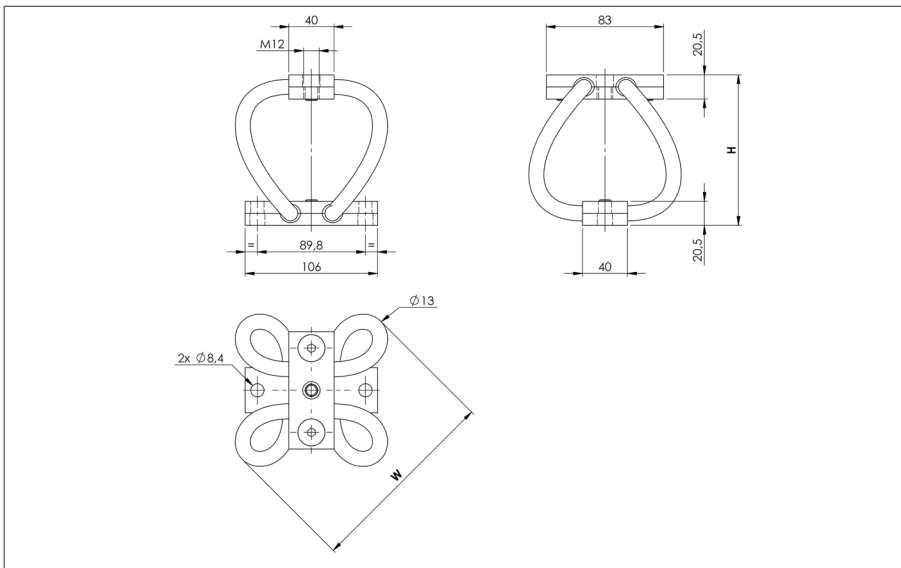


WIRE ROPE ISOLATORS: MACHINED LINE "POLYCAL"

PERFORMANCES
series AP14/SP14



- All metal multidirectional anti-vibration/shock mounts.
- Exceptional reliability and long life.
- High damping.
- No ageing.
- Corrosion resistant.
- Unequalled temperature range : -180°C +300°C.
- Cheap and quick prototypes from stock.

Dimensions are in mm. For reference only.

SERIES Materials and finishes	
AP14 Cable: stainless steel. Bars: aluminium alloy/surtec 650. Screws: Alloy steel/zinc plate (Inserts: alloy steel/zinc plate)	SP14 Cable: stainless steel. Bars: stainless steel. Screws: stainless steel.
Other materials on request	

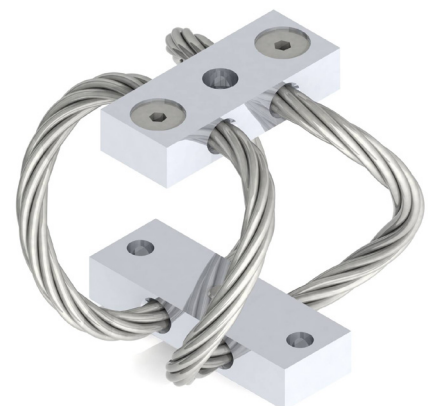
MODEL	AP14		SP14	
	height h (mm)	width w (mm)	mass (kg)	mass (kg)
-200	89	126	0,900	1,400
-235	96	137	1,000	1,500
-270	107	148	1,100	1,600
-310	120	161	1,200	1,700
-355	134	176	1,300	1,800
-410	152	193	1,400	1,900

EXAMPLE
AP14-410



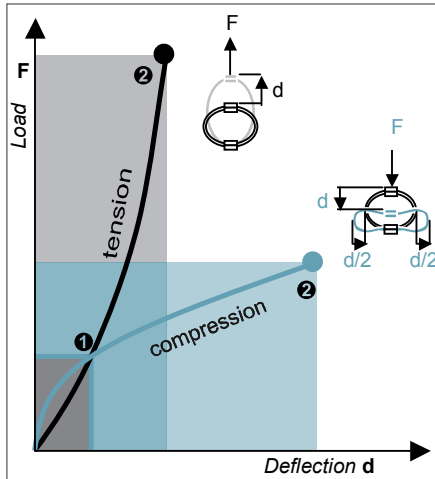
PREFIX:
machined 'Polycal'
mount
from the AP14 series

MODEL: -410
height: 152 mm
width: 193 mm
mass: 0,400 kg



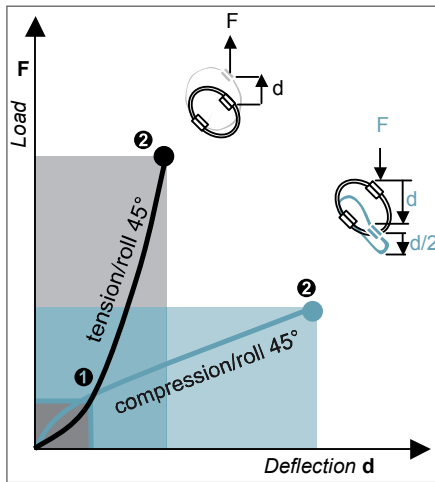
WIRE ROPE ISOLATORS: MACHINED LINE “POLYCAL”

PERFORMANCES
series AP14/SP14



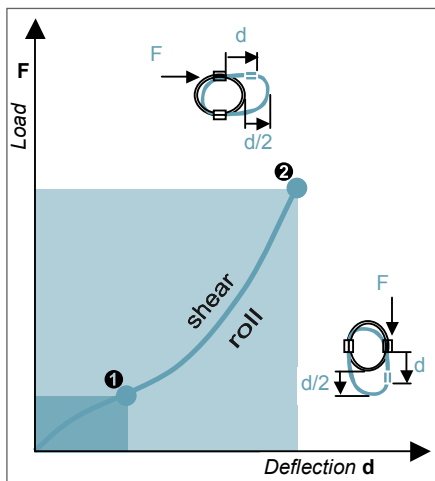
COMPRESSION AND TENSION

API14/SP14 Series	Model	-200	-235	-270	-310	-355	-410			
1. Max Static	F daN	87,5	75,5	64,7	54,9	46,5	39,2			
	d mm	7,8	9,0	10,8	13,0	15,3	18,3			
2. Max Shock	F daN	263	226	194	165	139	118			
	d mm	42	49	59	70	83	99			
3. Max Vibration	2a mm	4,6	5,4	6,5	7,8	9,2	11,0			
	f Hz	5	5	5	4	4	3			
1. Max Static	F daN	87,6	75,6	64,8	55,0	46,6	39,2			
	d mm	6,1	7,1	8,5	10,2	12,0	14,4			
2. Max Shock	F daN	584	506	434	368	312	263			
	d mm	20	24	29	35	41	50			
3. Max Vibration	2a mm	2,4	2,8	3,4	4,1	4,8	5,8			
	f Hz	7	7	6	5	5	4			



COMPRESSION/ROLL 45° - TENSION/ROLL 45°

API14/SP14 Series	Model	-200	-235	-270	-310	-355	-410			
1. Max Static	F daN	61,9	53,4	45,8	38,8	32,9	27,7			
	d mm	10,8	12,7	15,3	18,3	21,6	25,8			
2. Max Shock	F daN	185	160	137	117	99	83			
	d mm	60	69	83	99	117	140			
3. Max Vibration	2a mm	6,6	7,6	9,2	11,0	13,0	15,5			
	f Hz	4	4	4	3	3	3			
1. Max Static	F daN	56,3	48,5	41,6	35,3	29,9	25,2			
	d mm	7,5	8,6	10,3	12,4	14,6	17,5			
2. Max Shock	F daN	401	348	298	253	214	181			
	d mm	26	31	37	45	53	63			
3. Max Vibration	2a mm	2,9	3,4	4,1	5,0	5,9	7,0			
	f Hz	6	6	5	5	4	4			



SHEAR OR ROLL

API14/SP14 Series	Model	-200	-235	-270	-310	-355	-410			
1. Max Static	F daN	41,4	35,7	30,6	26,0	22,0	18,5			
	d mm	13,3	15,4	18,5	22,2	26,2	31,3			
2. Max Shock	F daN	263	226	194	165	139	118			
	d mm	44	51	61	74	87	104			
3. Max Vibration	2a mm	5,2	6,1	7,4	8,9	10,5	12,5			
	f Hz	4	4	4	3	3	3			

1. Max static load (F) with corresponding deflection (d)
2. Max shock load (F) with corresponding deflection (d)
3. Uncoupled resonant frequency (f) under max static loading 1. and max peak to peak sinusoidal vibration input (2a)

*** IMPORTANT:** Performance characteristics are given here for reference only. They can be increased under specific conditions. **Contact us.**

TYPICAL SHOCK/VIBRATION SPECIFICATIONS:

Ground Forces	GAM EG13A, SEFT 001, MIL-STD-810, VG 95332.
Air	AIR 7306, MIL-E-5400, MIL-C-172, MIL-STD-810.
Marine	GAM EG13C, IT25-21/96-31/15-86, MIL-S-167, MIL-S-901, STANAG 042, BV 043.73, BV 044.
Others	GAM EMB1, GAM EMBT4, DEF STAN 07-55, IEC 571, FINABEL 2C.