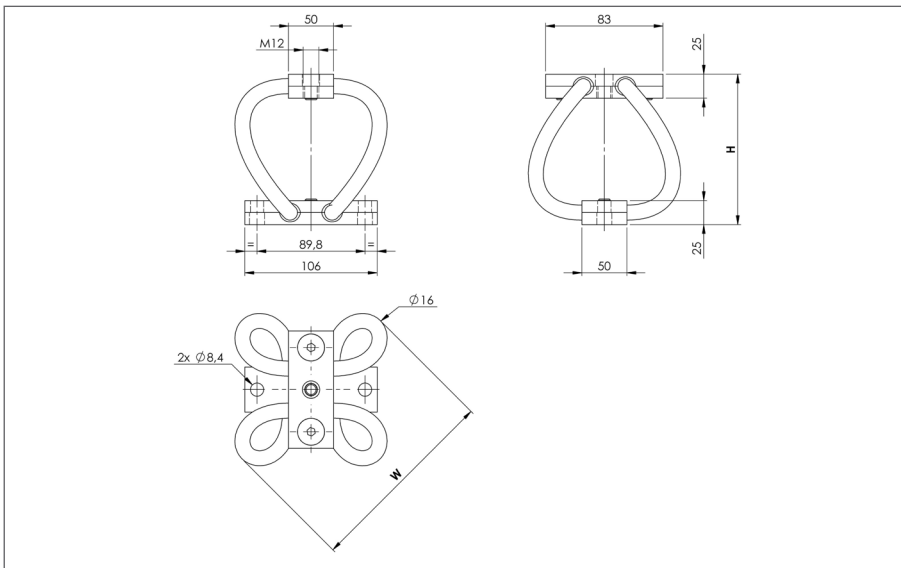


# WIRE ROPE ISOLATORS: MACHINED LINE "POLYCAL"

PERFORMANCES  
**series AP15/SP15**



- All metal multidirectional anti-vibration/shock mounts.
- Exceptional reliability and long life.
- High damping.
- No ageing.
- Corrosion resistant.
- Unequalled temperature range : -180°C +300°C.
- Cheap and quick prototypes from stock.

Dimensions are in mm. For reference only.

SERIES	
Materials and finishes	
<b>AP15</b> <b>Cable:</b> stainless steel. <b>Bars:</b> aluminium alloy/surtec 650. <b>Screws:</b> Alloy steel/zinc plate <b>(Inserts: Alloy steel/zinc plate)</b>	<b>SP15</b> <b>Cable:</b> stainless steel. <b>Bars:</b> stainless steel. <b>Screws:</b> stainless steel.
Other materials on request	

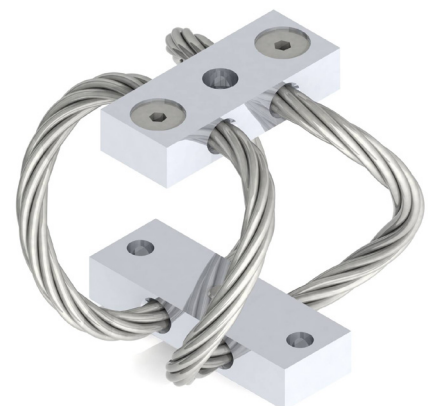
MODEL	AP15	SP15		
	height h (mm)	width w (mm)	mass (kg)	mass (kg)
-275	110	163	1,820	3,025
-315	123	177	1,950	3,145
-360	137	190	2,100	3,300
-415	154	208	2,240	3,445
-475	173	227	2,440	3,645

EXAMPLE  
AP15-360



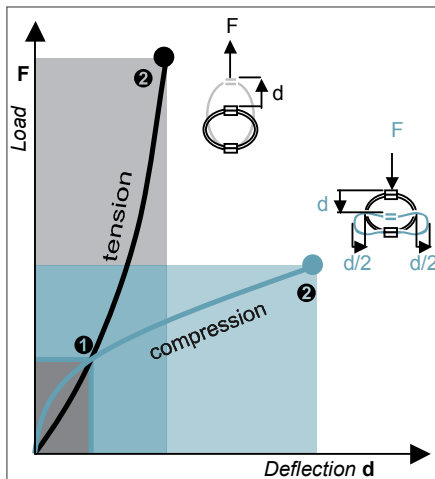
**PREFIX:**  
machined 'Polycal'  
mount  
from the AP15 series

**MODEL: -360**  
height: 137 mm  
width: 190 mm  
mass: 2,100 kg



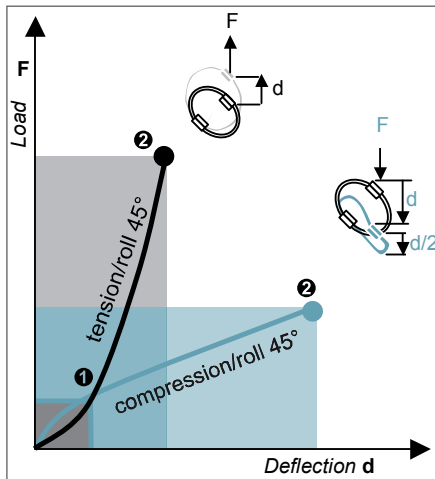
# WIRE ROPE ISOLATORS: MACHINED LINE “POLYCAL”

PERFORMANCES  
series AP15/SP15



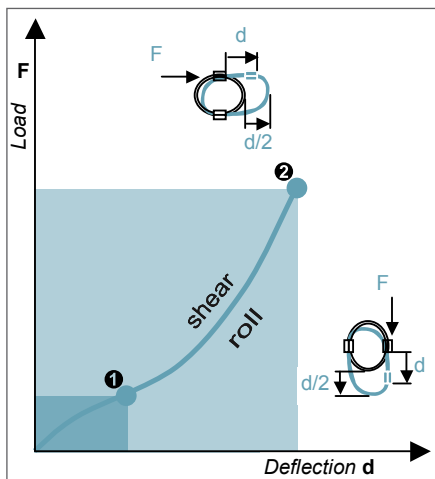
## COMPRESSION AND TENSION

AP15/SP15 Series	Model	-275	-315	-360	-415	-475			
1. Max Static	F daN	139	118	103	86,7	73,7			
	d mm	10,0	12,1	14,4	17,3	20,4			
2. Max Shock	F daN	418	355	309	260	221			
	d mm	54	66	78	94	111			
3. Max Vibration	2a mm	6,0	7,3	8,7	10,4	12,3			
	f Hz	5	4	4	4	3			
1. Max Static	F daN	140	119	103	86,8	73,8			
	d mm	7,8	9,5	11,4	13,6	16,1			
2. Max Shock	F daN	934	793	690	581	494			
	d mm	27	33	39	47	55			
3. Max Vibration	2a mm	3,1	3,8	4,6	5,4	6,4			
	f Hz	6	6	5	5	4			



## COMPRESSION/ROLL 45° - TENSION/ROLL 45°

AP15/SP15 Series	Model	-275	-315	-360	-415	-475			
1. Max Static	F daN	98,5	83,6	72,7	61,3	52,1			
	d mm	14,1	17,1	20,4	24,4	28,9			
2. Max Shock	F daN	295	251	218	184	156			
	d mm	76	93	111	132	157			
3. Max Vibration	2a mm	8,5	10,3	12,3	14,7	17,3			
	f Hz	4	4	3	3	3			
1. Max Static	F daN	89,5	76,0	66,1	55,7	47,3			
	d mm	9,5	11,6	13,8	16,5	19,6			
2. Max Shock	F daN	642	545	474	399	340			
	d mm	34	42	50	60	70			
3. Max Vibration	2a mm	3,8	4,6	5,5	6,6	7,8			
	f Hz	6	5	4	4	4			



## SHEAR OR ROLL

AP15/SP15 Series	Model	-275	-315	-360	-415	-475			
1. Max Static	F daN	65,9	55,9	48,6	41,0	34,9			
	d mm	17,1	20,8	24,7	29,6	35,0			
2. Max Shock	F daN	418	355	309	260	221			
	d mm	57	69	82	98	116			
3. Max Vibration	2a mm	6,8	8,3	9,9	11,8	14,0			
	f Hz	4	4	3	3	3			

1. Max static load (F) with corresponding deflection (d)
2. Max shock load (F) with corresponding deflection (d)
3. Uncoupled resonant frequency (f) under max static loading 1. and max peak to peak sinusoidal vibration input (2a)

\* IMPORTANT: Performance characteristics are given here for reference only. They can be increased under specific conditions. **Contact us.**

## TYPICAL SHOCK/VIBRATION SPECIFICATIONS:

<b>Ground Forces</b>	GAM EG13A, SEFT 001, MIL-STD-810, VG 95332.
<b>Air</b>	AIR 7306, MIL-E-5400, MIL-C-172, MIL-STD-810.
<b>Marine</b>	GAM EG13C, IT25-21/96-31/15-86, MIL-S-167, MIL-S-901, STANAG 042, BV 043.73, BV 044.
<b>Others</b>	GAM EMB1, GAM EMBT4, DEF STAN 07-55, IEC 571, FINABEL 2C.