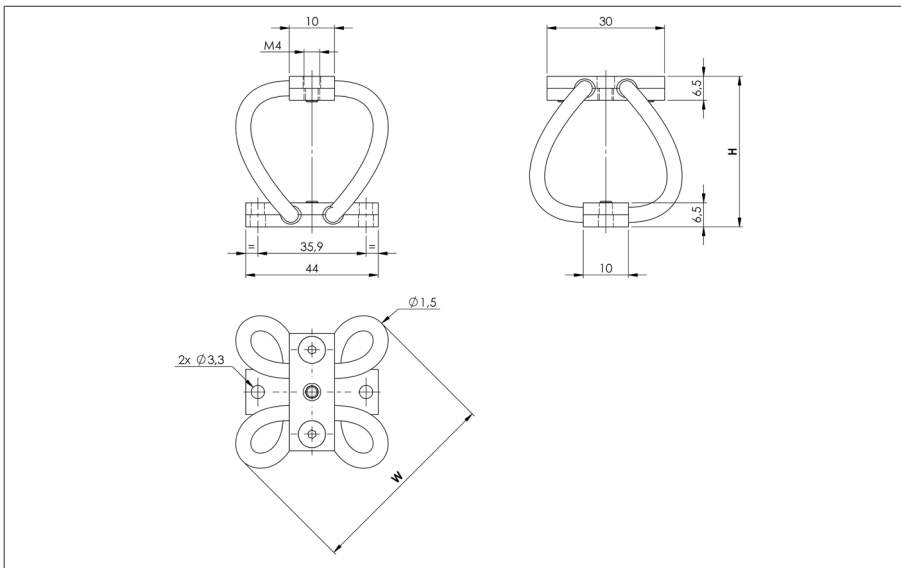


# WIRE ROPE ISOLATORS: MACHINED LINE "POLYCAL"

PERFORMANCES  
**series AP2/SP2**



- All metal multidirectional anti-vibration/shock mounts.
- Exceptional reliability and long life.
- High damping.
- No ageing.
- Corrosion resistant.
- Unequalled temperature range : -180°C +300°C.
- Cheap and quick prototypes from stock.

Dimensions are in mm. For reference only.

SERIES Materials and finishes	
<b>AP2</b> <b>Cable:</b> stainless steel. <b>Bars:</b> aluminium alloy/surtec 650. <b>Screws:</b> Alloy steel/zinc plate <b>(Inserts: alloy steel/zinc plate)</b>	<b>SP2</b> <b>Cable:</b> stainless steel. <b>Bars:</b> stainless steel. <b>Screws:</b> stainless steel.
Other materials on request	

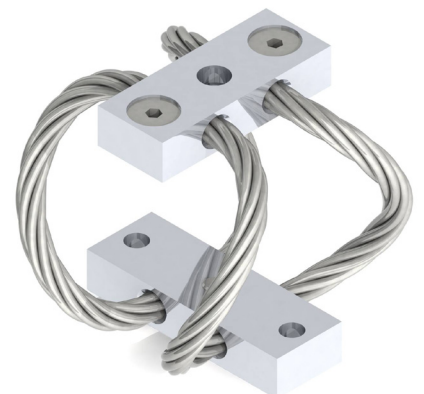
MODEL	AP2	SP2		
	height h (mm)	width w (mm)	mass (kg)	mass (kg)
-30	15	24	0,011	0,025
-35	17	25	0,011	0,025
-40	18	27	0,012	0,026
-45	20	29	0,012	0,026
-50	21	30	0,012	0,027

EXAMPLE  
AP2-35



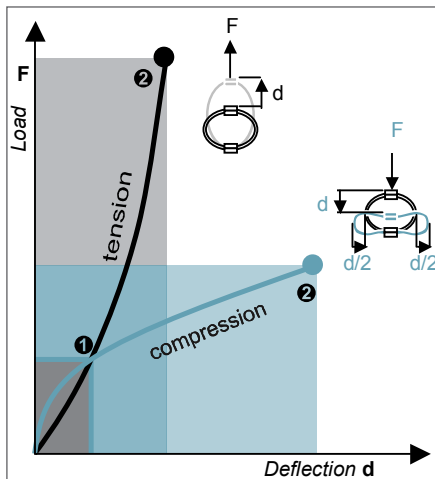
**PREFIX:**  
machined 'Polycal'  
mount  
from the AP2 series

**MODEL: -35**  
height: 17 mm  
width: 25 mm  
mass: 0,011 kg



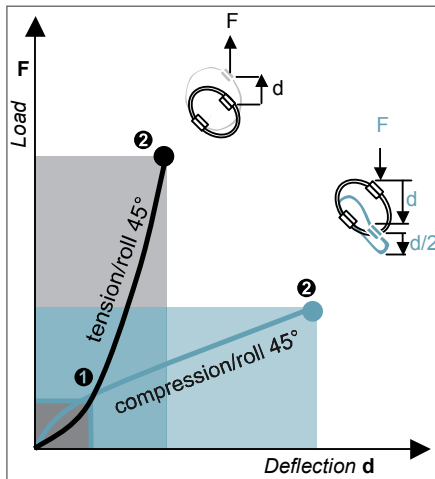
# WIRE ROPE ISOLATORS: MACHINED LINE "POLYCAL"

PERFORMANCES  
series AP2/SP2



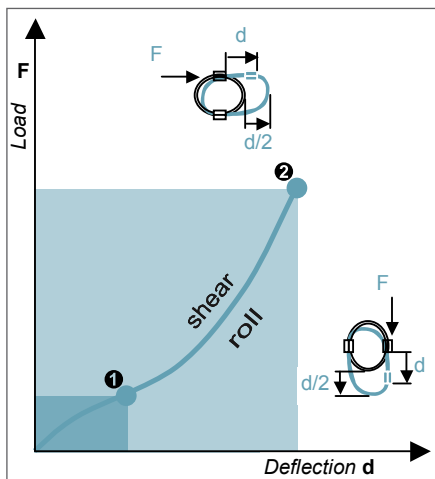
## COMPRESSION AND TENSION

AP2/SP2 Series	Model	-30	-35	-40	-45	-50			
1. Max Static	F daN	0,7	0,7	0,6	0,5	0,5			
	d mm	0,7	1,0	1,2	1,5	1,7			
2. Max Shock	F daN	2	2	2	1	1			
	d mm	4	5	6	8	9			
3. Max Vibration	2a mm	0,4	0,6	0,7	0,9	1,0			
	f Hz	23	18	17	15	14			
1. Max Static	F daN	0,7	0,7	0,6	0,5	0,5			
	d mm	0,5	0,8	0,9	1,2	1,3			
2. Max Shock	F daN	5	4	4	3	3			
	d mm	2	3	3	4	5			
3. Max Vibration	2a mm	0,2	0,3	0,4	0,5	0,5			
	f Hz	30	23	21	19	17			



## COMPRESSION/ROLL 45° - TENSION/ROLL 45°

AP2/SP2 Series	Model	-30	-35	-40	-45	-50			
1. Max Static	F daN	0,5	0,5	0,4	0,4	0,3			
	d mm	0,9	1,4	1,6	2,1	2,3			
2. Max Shock	F daN	1	1	1	1	1			
	d mm	5	8	9	11	13			
3. Max Vibration	2a mm	0,6	0,8	1,0	1,3	1,4			
	f Hz	19	15	14	12	11			
1. Max Static	F daN	0,4	0,4	0,4	0,3	0,3			
	d mm	0,6	1,0	1,1	1,4	1,6			
2. Max Shock	F daN	3	3	3	2	2			
	d mm	2	3	4	5	6			
3. Max Vibration	2a mm	0,3	0,4	0,4	0,6	0,6			
	f Hz	26	21	19	17	16			



## SHEAR OR ROLL

AP2/SP2 Series	Model	-30	-35	-40	-45	-50			
1. Max Static	F daN	0,3	0,3	0,3	0,2	0,2			
	d mm	1,1	1,7	2,0	2,6	2,8			
2. Max Shock	F daN	2	2	2	1	1			
	d mm	4	6	7	9	9			
3. Max Vibration	2a mm	0,5	0,7	0,8	1,0	1,1			
	f Hz	19	15	14	12	11			

1. Max static load (F) with corresponding deflection (d)
2. Max shock load (F) with corresponding deflection (d)
3. Uncoupled resonant frequency (f) under max static loading 1. and max peak to peak sinusoidal vibration input (2a)

\* IMPORTANT: Performance characteristics are given here for reference only. They can be increased under specific conditions. **Contact us.**

## TYPICAL SHOCK/VIBRATION SPECIFICATIONS:

<b>Ground Forces</b>	GAM EG13A, SEFT 001, MIL-STD-810, VG 95332.
<b>Air</b>	AIR 7306, MIL-E-5400, MIL-C-172, MIL-STD-810.
<b>Marine</b>	GAM EG13C, IT25-21/96-31/15-86, MIL-S-167, MIL-S-901, STANAG 042, BV 043.73, BV 044.
<b>Others</b>	GAM EMB1, GAM EMBT4, DEF STAN 07-55, IEC 571, FINABEL 2C.