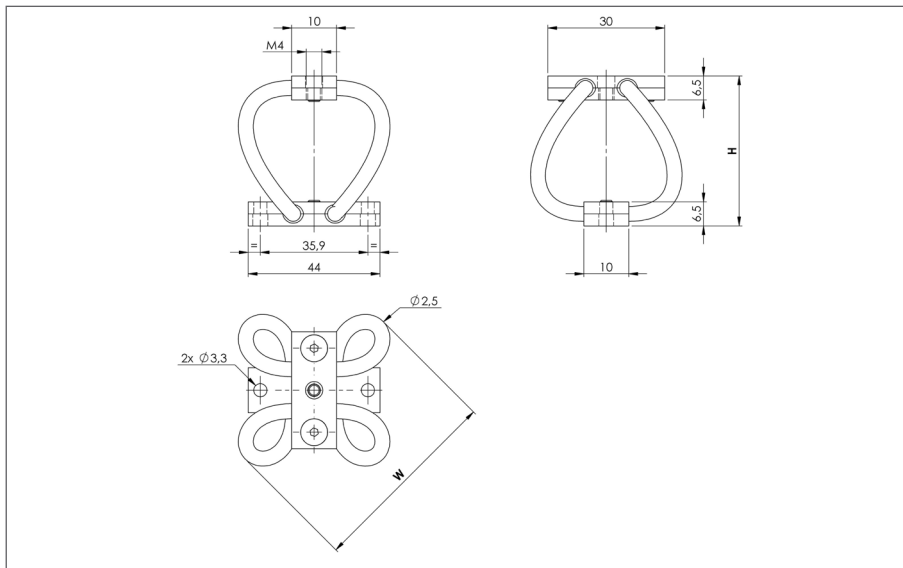


WIRE ROPE ISOLATORS: MACHINED LINE "POLYCAL"

PERFORMANCES
series AP3/SP3



- All metal multidirectional anti-vibration/shock mounts.
- Exceptional reliability and long life.
- High damping.
- No ageing.
- Corrosion resistant.
- Unequalled temperature range : -180°C +300°C.
- Cheap and quick prototypes from stock.

Dimensions are in mm. For reference only.

SERIES Materials and finishes	
AP3 Cable: stainless steel. Bars: aluminium alloy/surtec 650. Screws: Alloy steel/zinc plate (Inserts: alloy steel/zinc plate)	SP3 Cable: stainless steel. Bars: stainless steel. Screws: stainless steel.
Other materials on request	

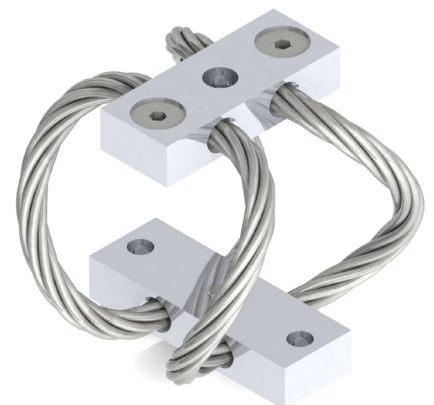
MODEL	AP3	SP3		
	height h (mm)	width w (mm)	mass (kg)	mass (kg)
-40	19	30	0,019	0,041
-50	22	33	0,020	0,042
-60	26	36	0,021	0,043
-70	29	40	0,022	0,044
-80	32	43	0,023	0,045

EXAMPLE
AP3-40



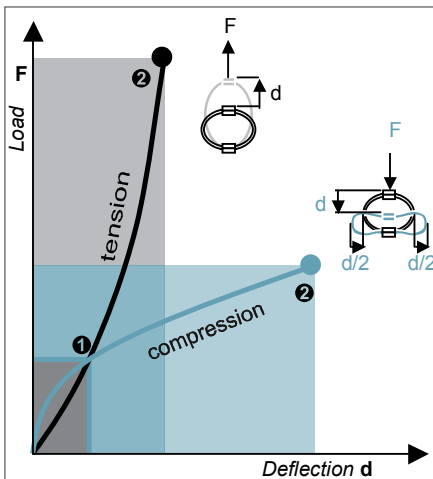
PREFIX:
machined 'Polycal'
mount
from the AP3 series

MODEL: -40
height: 19 mm
width: 30 mm
mass: 0,019 kg



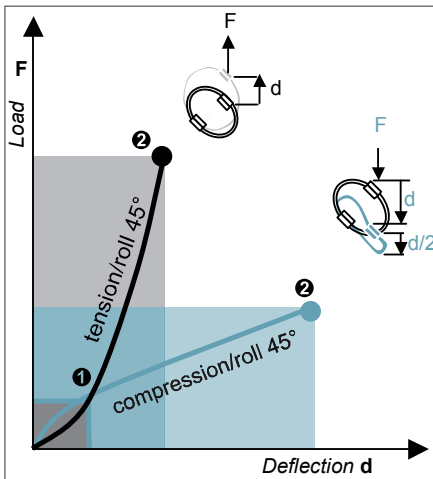
WIRE ROPE ISOLATORS: MACHINED LINE “POLYCAL”

PERFORMANCES
series AP3/SP3



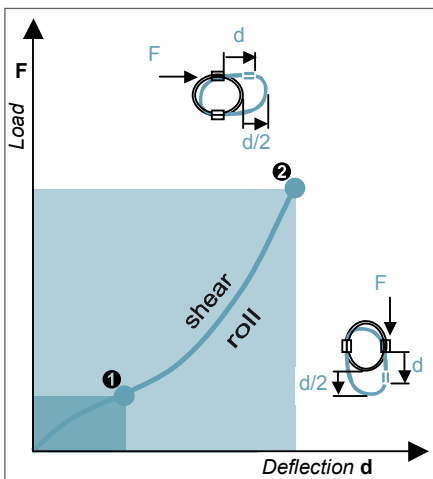
COMPRESSION AND TENSION

AP3/SP3 Series	Model	-40	-50	-60	-70	-80			
1. Max Static	F daN	2,8	2,4	2,0	1,6	1,4			
	d mm	1,0	1,5	2,2	2,7	3,2			
2. Max Shock	F daN	8	7	6	5	4			
	d mm	5	8	12	14	17			
3. Max Vibration	2a mm	0,6	0,9	1,3	1,6	1,9			
	f Hz	18	15	12	10	10			
1. Max Static	F daN	2,8	2,4	2,0	1,6	1,4			
	d mm	0,8	1,2	1,7	2,1	2,5			
2. Max Shock	F daN	19	16	13	11	10			
	d mm	3	4	6	7	9			
3. Max Vibration	2a mm	0,3	0,5	0,7	0,8	1,0			
	f Hz	23	19	15	13	12			



COMPRESSION/ROLL 45° - TENSION/ROLL 45°

AP3/SP3 Series	Model	-40	-50	-60	-70	-80			
1. Max Static	F daN	2,0	1,7	1,4	1,2	1,0			
	d mm	1,4	2,1	3,1	3,8	4,5			
2. Max Shock	F daN	6	5	4	3	13			
	d mm	8	11	17	20	24			
3. Max Vibration	2a mm	0,8	1,3	1,8	2,3	2,7			
	f Hz	15	12	10	9	8			
1. Max Static	F daN	1,8	1,5	1,3	1,1	0,9			
	d mm	1,0	1,4	2,1	2,5	3,0			
2. Max Shock	F daN	13	11	9	8	7			
	d mm	3	5	7	9	11			
3. Max Vibration	2a mm	0,4	0,6	0,8	1,0	1,2			
	f Hz	21	17	13	12	11			



SHEAR OR ROLL

AP3/SP3 Series	Model	-40	-50	-60	-70	-80			
1. Max Static	F daN	1,3	1,1	1,0	0,8	0,7			
	d mm	1,7	2,6	3,7	4,6	5,4			
2. Max Shock	F daN	8	7	6	5	4			
	d mm	6	9	12	15	18			
3. Max Vibration	2a mm	0,7	1,0	1,5	1,8	2,2			
	f Hz	15	12	10	9	8			

1. Max static load (F) with corresponding deflection (d)
2. Max shock load (F) with corresponding deflection (d)
3. Uncoupled resonant frequency (f) under max static loading 1. and max peak to peak sinusoidal vibration input (2a)

* IMPORTANT: Performance characteristics are given here for reference only. They can be increased under specific conditions. **Contact us.**

TYPICAL SHOCK/VIBRATION SPECIFICATIONS:

Ground Forces	GAM EG13A, SEFT 001, MIL-STD-810, VG 95332.
Air	AIR 7306, MIL-E-5400, MIL-C-172, MIL-STD-810.
Marine	GAM EG13C, IT25-21/96-31/15-86, MIL-S-167, MIL-S-901, STANAG 042, BV 043.73, BV 044.
Others	GAM EMB1, GAM EMBT4, DEF STAN 07-55, IEC 571, FINABEL 2C.