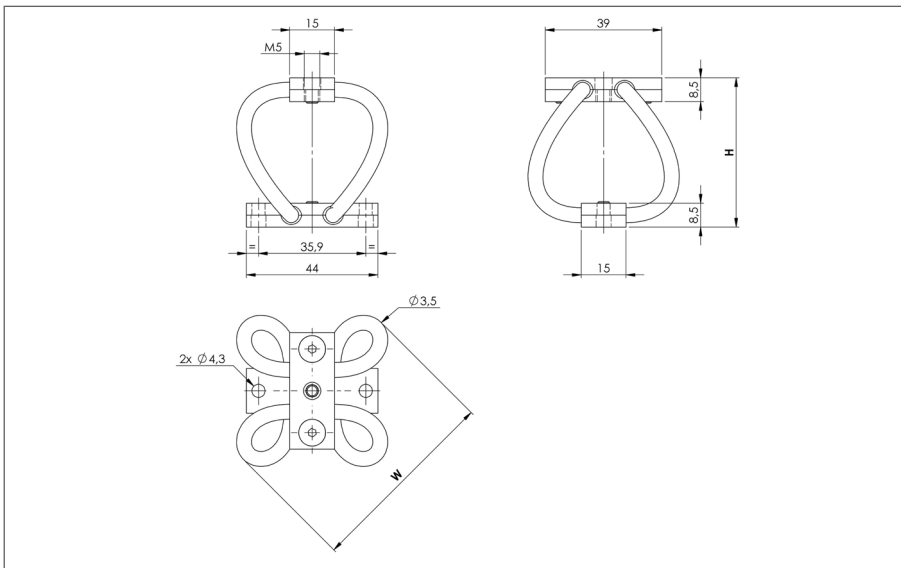


WIRE ROPE ISOLATORS: MACHINED LINE "POLYCAL"

PERFORMANCES
series AP4/SP4



- All metal multidirectional anti-vibration/shock mounts.
- Exceptional reliability and long life.
- High damping.
- No ageing.
- Corrosion resistant.
- Unequalled temperature range : -180°C +300°C.
- Cheap and quick prototypes from stock.

Dimensions are in mm. For reference only.

SERIES Materials and finishes	
AP4 Cable: stainless steel. Bars: aluminium alloy/surtec 650. Screws: Alloy steel/zinc plate (Inserts: alloy steel/zinc plate)	SP4 Cable: stainless steel. Bars: stainless steel. Screws: stainless steel.
Other materials on request	

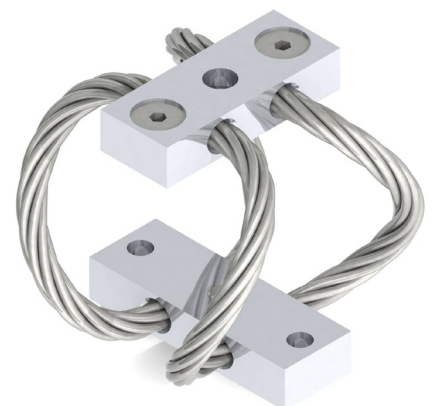
MODEL	AP4		SP4	
	height h (mm)	width w (mm)	mass (kg)	mass (kg)
-65	29	44	0,034	0,064
-75	32	47	0,036	0,066
-85	36	50	0,037	0,067
-95	39	54	0,039	0,069
-110	44	58	0,041	0,071
-125	47	64	0,043	0,074

EXAMPLE
AP4-95



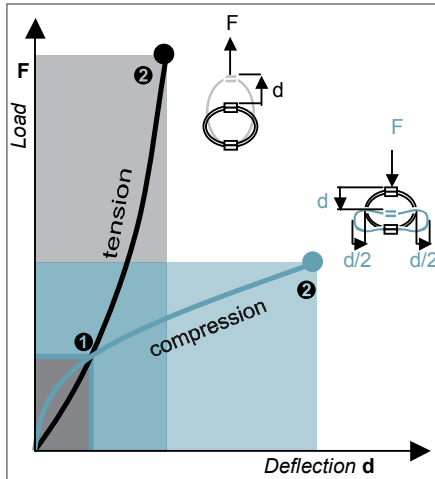
PREFIX:
machined 'Polycal'
mount
from the AP4 series

MODEL: -95
height: 39 mm
width: 54 mm
mass: 0,039 kg

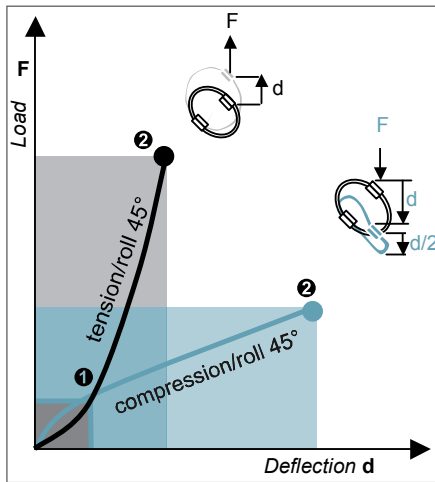


WIRE ROPE ISOLATORS: MACHINED LINE “POLYCAL”

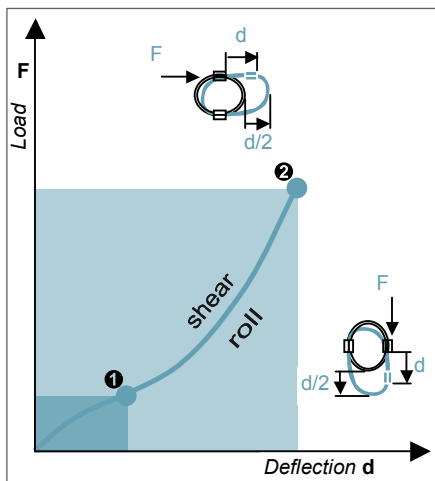
PERFORMANCES
series AP4/SP4



COMPRESSION AND TENSION		AP4/SP4 Series	Model	-65	-75	-85	-95	-110	-125
1. Max Static	F daN	4,6	4,1	3,6	3,1	2,7	2,1		
	d mm	2,0	2,5	3,2	3,7	4,5	5,0		
2. Max Shock	F daN	14	12	11	9	8	6		
	d mm	11	14	17	20	24	27		
3. Max Vibration	2a mm	1,2	1,5	1,9	2,2	2,7	3,0		
	f Hz	12	11	10	9	8	7		
1. Max Static	F daN	4,6	4,1	3,6	3,1	2,7	2,1		
	d mm	1,6	2,0	2,5	2,9	3,5	3,6		
2. Max Shock	F daN	31	27	24	21	18	17		
	d mm	5	7	9	10	12	14		
3. Max Vibration	2a mm	0,6	0,8	1,0	1,2	1,4	1,6		
	f Hz	16	14	12	11	10	11		



COMPRESSION/ROLL 45° - TENSION/ROLL 45°		AP4/SP4 Series	Model	-65	-75	-85	-95	-110	-125
1. Max Static	F daN	3,3	2,9	2,5	2,2	1,9	1,6		
	d mm	2,8	3,5	4,5	5,2	6,3	7,0		
2. Max Shock	F daN	10	9	8	7	6	4		
	d mm	15	19	24	28	34	40		
3. Max Vibration	2a mm	1,7	2,1	2,7	3,1	3,8	4,5		
	f Hz	10	9	8	7	6	6		
1. Max Static	F daN	3,0	2,6	2,3	2,0	1,7	1,6		
	d mm	1,9	2,4	3,0	2,5	3,0	5,5		
2. Max Shock	F daN	21	19	17	8	7	13		
	d mm	7	9	11	9	11	19		
3. Max Vibration	2a mm	0,8	1,0	1,2	1,0	1,2	2,1		
	f Hz	14	12	11	12	11	9		



SHEAR OR ROLL		AP4/SP4 Series	Model	-65	-75	-85	-95	-110	-125
1. Max Static	F daN	2,2	1,9	1,7	1,5	1,3	1,1		
	d mm	3,4	4,3	5,4	6,3	7,7	9,4		
2. Max Shock	F daN	14	12	11	9	8	6		
	d mm	11	14	18	21	26	25		
3. Max Vibration	2a mm	1,4	1,7	2,2	2,5	3,1	2,8		
	f Hz	10	9	8	7	6	8		

1. Max static load (F) with corresponding deflection (d)
 2. Max shock load (F) with corresponding deflection (d)
 3. Uncoupled resonant frequency (f) under max static loading 1. and max peak to peak sinusoidal vibration input (2a)

*** IMPORTANT: Performance characteristics are given here for reference only. They can be increased under specific conditions. Contact us.**

TYPICAL SHOCK/VIBRATION SPECIFICATIONS:

Ground Forces	GAM EG13A, SEFT 001, MIL-STD-810, VG 95332.
Air	AIR 7306, MIL-E-5400, MIL-C-172, MIL-STD-810.
Marine	GAM EG13C, IT25-21/96-31/15-86, MIL-S-167, MIL-S-901, STANAG 042, BV 043.73, BV 044.
Others	GAM EMB1, GAM EMBT4, DEF STAN 07-55, IEC 571, FINABEL 2C.