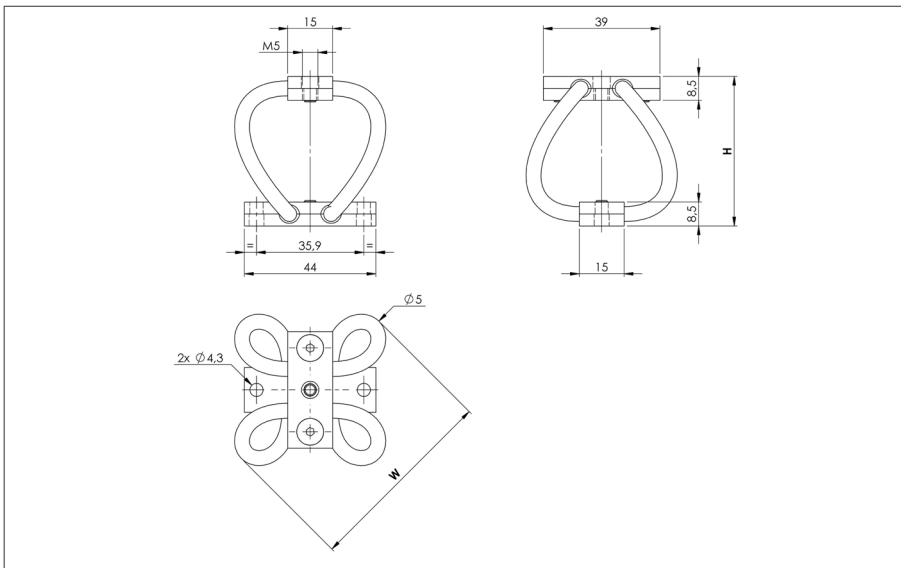


# WIRE ROPE ISOLATORS: MACHINED LINE "POLYCAL"

PERFORMANCES  
**series AP6/SP6**



- All metal multidirectional anti-vibration/shock mounts.
- Exceptional reliability and long life.
- High damping.
- No ageing.
- Corrosion resistant.
- Unequalled temperature range : -180°C +300°C.
- Cheap and quick prototypes from stock.

Dimensions are in mm. For reference only.

SERIES Materials and finishes	
<b>AP6</b> <b>Cable:</b> stainless steel. <b>Bars:</b> aluminium alloy/surtec 650. <b>Screws:</b> Alloy steel/zinc plate <b>(Inserts: alloy steel/zinc plate)</b>	<b>SP6</b> <b>Cable:</b> stainless steel. <b>Bars:</b> stainless steel. <b>Screws:</b> stainless steel.
Other materials on request	

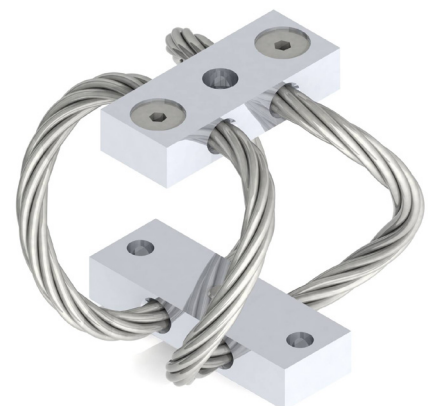
MODEL	AP6		SP6	
	height h (mm)	width w (mm)	mass (kg)	mass (kg)
-90	39	56	0,086	0,177
-105	44	60	0,097	0,182
-120	49	65	0,101	0,186
-140	55	72	0,107	0,192
-160	61	78	0,114	0,199
-195	73	84	0,120	0,204

EXAMPLE  
AP6-90



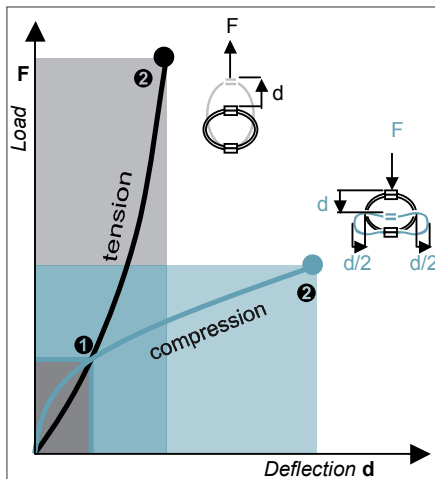
**PREFIX:**  
machined 'Polycal'  
mount  
from the AP6 series

**MODEL: -90**  
height: 39 mm  
width: 56 mm  
mass: 0,086 kg



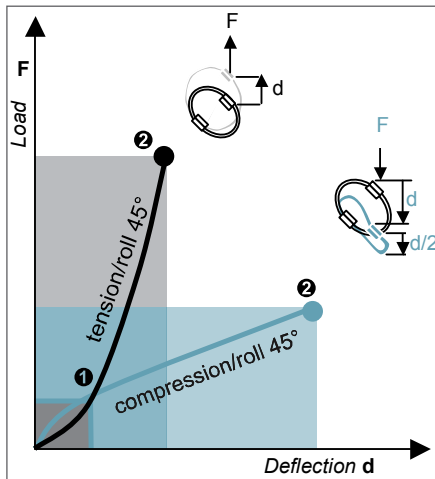
# WIRE ROPE ISOLATORS: MACHINED LINE “POLYCAL”

PERFORMANCES  
**series AP6/SP6**



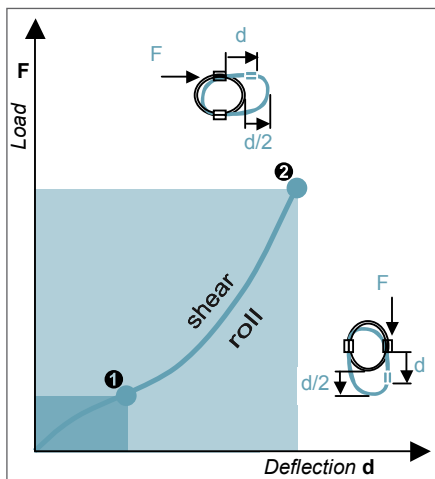
## COMPRESSION AND TENSION

AP6/SP6 Series	Model	-90	-105	-120	-140	-160			
1. Max Static	F daN	11,4	10,0	8,6	7,1	6,2			
	d mm	3,0	3,8	4,6	5,6	6,6			
2. Max Shock	F daN	34	30	26	21	18			
	d mm	16	21	25	31	36			
3. Max Vibration	2a mm	1,8	2,3	2,8	3,4	4,0			
	f Hz	10	9	8	7	6			
1. Max Static	F daN	11,4	10,0	8,6	7,1	6,2			
	d mm	2,4	3,0	3,7	4,4	5,2			
2. Max Shock	F daN	76	67	58	48	41			
	d mm	8	10	13	15	18			
3. Max Vibration	2a mm	0,9	1,2	1,5	1,8	2,1			
	f Hz	12	11	10	9	8			



## COMPRESSION/ROLL 45° - TENSION/ROLL 45°

AP6/SP6 Series	Model	-90	-105	-120	-140	-160			
1. Max Static	F daN	8,1	7,1	6,1	5,0	4,3			
	d mm	4,2	5,4	6,6	8,0	9,4			
2. Max Shock	F daN	24	21	18	15	13			
	d mm	23	29	36	43	51			
3. Max Vibration	2a mm	2,5	3,2	3,9	4,8	5,6			
	f Hz	8	7	6	6	5			
1. Max Static	F daN	7,3	6,4	5,5	4,6	4,0			
	d mm	2,9	3,7	4,5	5,4	6,4			
2. Max Shock	F daN	53	46	40	33	28			
	d mm	10	13	16	19	23			
3. Max Vibration	2a mm	1,1	1,5	1,8	2,2	2,5			
	f Hz	11	10	9	8	7			



## SHEAR OR ROLL

AP6/SP6 Series	Model	-90	-105	-120	-140	-160			
1. Max Static	F daN	5,4	4,7	4,1	3,4	2,9			
	d mm	5,1	6,5	8,0	9,7	11,4			
2. Max Shock	F daN	34	30	26	21	18			
	d mm	17	22	26	32	38			
3. Max Vibration	2a mm	2,0	2,6	3,2	3,9	4,6			
	f Hz	8	7	6	6	5			

1. Max static load (F) with corresponding deflection (d)
2. Max shock load (F) with corresponding deflection (d)
3. Uncoupled resonant frequency (f) under max static loading 1. and max peak to peak sinusoidal vibration input (2a)

**\* IMPORTANT:** Performance characteristics are given here for reference only. They can be increased under specific conditions. **Contact us.**

## TYPICAL SHOCK/VIBRATION SPECIFICATIONS:

<b>Ground Forces</b>	GAM EG13A, SEFT 001, MIL-STD-810, VG 95332.
<b>Air</b>	AIR 7306, MIL-E-5400, MIL-C-172, MIL-STD-810.
<b>Marine</b>	GAM EG13C, IT25-21/96-31/15-86, MIL-S-167, MIL-S-901, STANAG 042, BV 043.73, BV 044.
<b>Others</b>	GAM EMB1, GAM EMBT4, DEF STAN 07-55, IEC 571, FINABEL 2C.