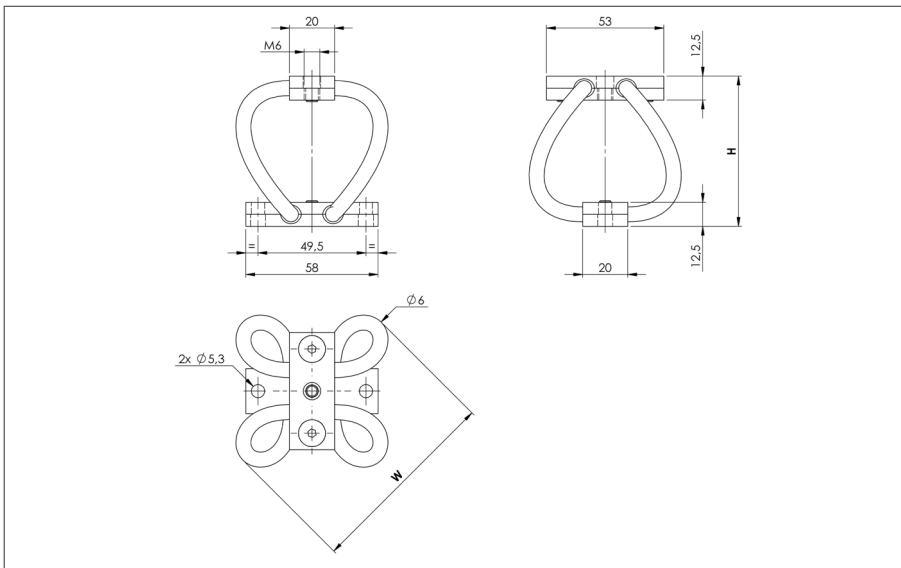


WIRE ROPE ISOLATORS: MACHINED LINE "POLYCAL"

PERFORMANCES
series AP8/SP8



- All metal multidirectional anti-vibration/shock mounts.
- Exceptional reliability and long life.
- High damping.
- No ageing.
- Corrosion resistant.
- Unequalled temperature range : -180°C +300°C.
- Cheap and quick prototypes from stock.

Dimensions are in mm. For reference only.

SERIES Materials and finishes	
AP8 Cable: stainless steel. Bars: aluminium alloy/surtec 650. Screws: Alloy steel/zinc plate (Inserts: alloy steel/zinc plate)	SP8 Cable: stainless steel. Bars: stainless steel. Screws: stainless steel.
Other materials on request	

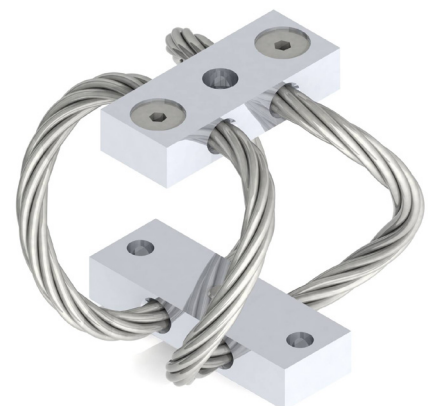
MODEL	AP8		SP8	
	height h (mm)	width w (mm)	mass (kg)	mass (kg)
-110	48	67	0,121	0,208
-125	52	72	0,128	0,213
-145	59	78	0,137	0,222
-165	65	85	0,146	0,231
-190	73	93	0,157	0,242

EXAMPLE
AP8-125



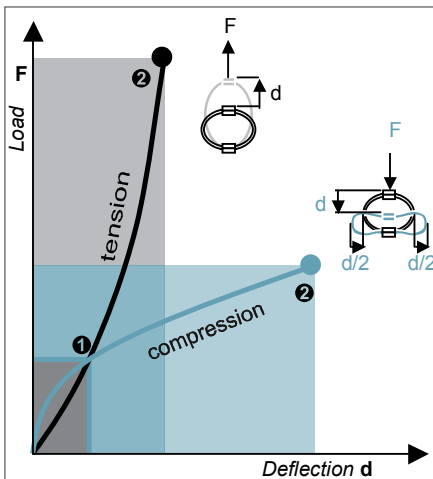
PREFIX:
machined 'Polycal'
mount
from the AP8 series

MODEL: -125
height: 52 mm
width: 72 mm
mass: 0,128 kg



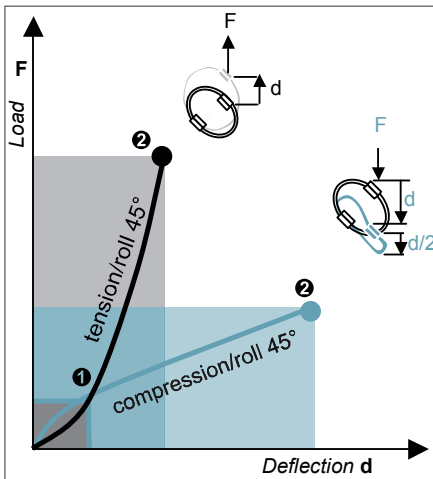
WIRE ROPE ISOLATORS: MACHINED LINE "POLYCAL"

PERFORMANCES
series AP8/SP8



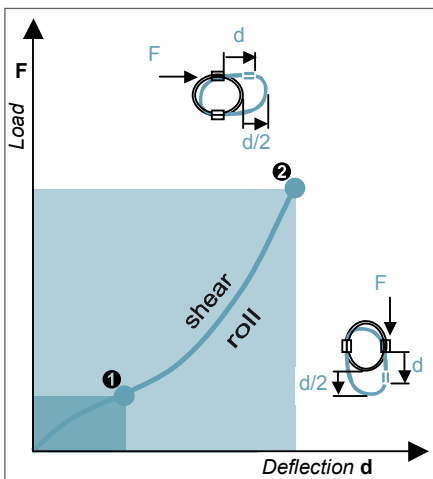
COMPRESSION AND TENSION

AP8/SP8 Series	Model	-110	-125	-145	-165	-190			
1. Max Static	F daN	14,8	12,9	11,1	9,5	8,0			
	d mm	3,8	4,5	5,6	6,6	8,0			
2. Max Shock	F daN	45	39	33	28	24			
	d mm	21	24	31	36	43			
3. Max Vibration	2a mm	2,3	2,7	3,4	4,0	4,8			
	f Hz	9	8	7	6	6			
1. Max Static	F daN	14,9	13,0	11,1	9,5	8,1			
	d mm	3,0	3,5	4,4	5,2	6,3			
2. Max Shock	F daN	100	87	74	64	54			
	d mm	10	12	15	18	22			
3. Max Vibration	2a mm	1,2	1,4	1,8	2,1	2,5			
	f Hz	11	10	9	8	7			



COMPRESSION/ROLL 45° - TENSION/ROLL 45°

AP8/SP8 Series	Model	-110	-125	-145	-165	-190			
1. Max Static	F daN	10,5	9,2	7,9	6,7	5,7			
	d mm	5,4	6,3	8,0	9,4	11,3			
2. Max Shock	F daN	31	27	24	20	17			
	d mm	29	34	43	51	61			
3. Max Vibration	2a mm	3,2	3,8	4,8	5,6	6,8			
	f Hz	7	6	6	5	5			
1. Max Static	F daN	9,5	8,3	7,1	6,1	5,2			
	d mm	3,7	4,3	5,4	6,4	7,6			
2. Max Shock	F daN	68	60	51	44	37			
	d mm	13	15	19	23	27			
3. Max Vibration	2a mm	1,5	1,7	2,2	2,5	3,1			
	f Hz	10	9	8	7	6			



SHEAR OR ROLL

AP8/SP8 Series	Model	-110	-125	-145	-165	-190			
1. Max Static	F daN	7,0	6,1	5,3	4,5	3,8			
	d mm	6,5	7,7	9,7	11,4	13,7			
2. Max Shock	F daN	45	39	33	28	24			
	d mm	22	26	32	38	45			
3. Max Vibration	2a mm	2,6	3,1	3,9	4,6	5,5			
	f Hz	7	6	6	5	5			

1. Max static load (F) with corresponding deflection (d)
2. Max shock load (F) with corresponding deflection (d)
3. Uncoupled resonant frequency (f) under max static loading 1. and max peak to peak sinusoidal vibration input (2a)

* IMPORTANT: Performance characteristics are given here for reference only. They can be increased under specific conditions. **Contact us.**

TYPICAL SHOCK/VIBRATION SPECIFICATIONS:

Ground Forces	GAM EG13A, SEFT 001, MIL-STD-810, VG 95332.
Air	AIR 7306, MIL-E-5400, MIL-C-172, MIL-STD-810.
Marine	GAM EG13C, IT25-21/96-31/15-86, MIL-S-167, MIL-S-901, STANAG 042, BV 043.73, BV 044.
Others	GAM EMB1, GAM EMBT4, DEF STAN 07-55, IEC 571, FINABEL 2C.