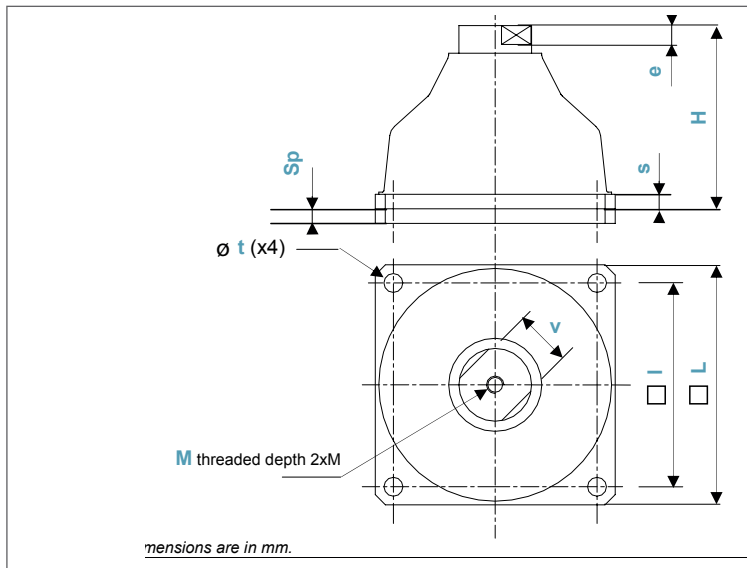


LOW FREQUENCY ELASTOMER MOUNTS: **BF**

DEFINITION
series BF45



- Multidirectional anti-vibration/shock mounts.
- Displacement under shock from 45 to 70mm.
- Transmissibility : $Q < 10$.
- Resonant frequency 6Hz for normal load.
- Temperature range: -30°C $+90^{\circ}\text{C}$.
- Great adaptability / versatility.

SPECIALS ON REQUEST

(materials, size and interfaces, etc.)

Dimensions are in mm. For reference only.

SERIE	DIMENSIONS & LOAD										nom. load (daN)	axial stiffness (N.mm ⁻¹)	mass (kg)
Materials and finishes	model	H	L	l	e	v	t	M	s	Sp			
BF45 Elastomer: polychloroprene Top and bottom interfaces: salt fog anti corrosion paint Other materials on request	-30	100	150	114	10	27	9	M10	5	-	30	25	1,2 (2,3) (3,5)
	-45										45	35	
	-60										60	50	
	-85										85	65	
	-110										110	85	
	-130	130	100										
	-170	126	165	140	13	41	13	M20	10	-	170	130	3,4 (3,8) (4,7)
	-230										230	175	
	-320										320	230	
	-425										425	230	
	-500	154	250	210	14	41	18	M24	15	-	500	400	12,5
	-625										625	500	
	-800										800	650	
	-1080										1080	840	

EXAMPLE
BF45-230e15

B	F	4	5	-	2	3	0	e	1	5
---	---	---	---	---	---	---	---	---	---	---

SPACER: e15
thickness: 15mm



PREFIX:
'low frequency' mount from the BF45 series

MODEL: -230
height: 126mm
width: 165mm
interface: M20

nom. load: 230 daN
axial average stiffness: 175 N.mm⁻¹