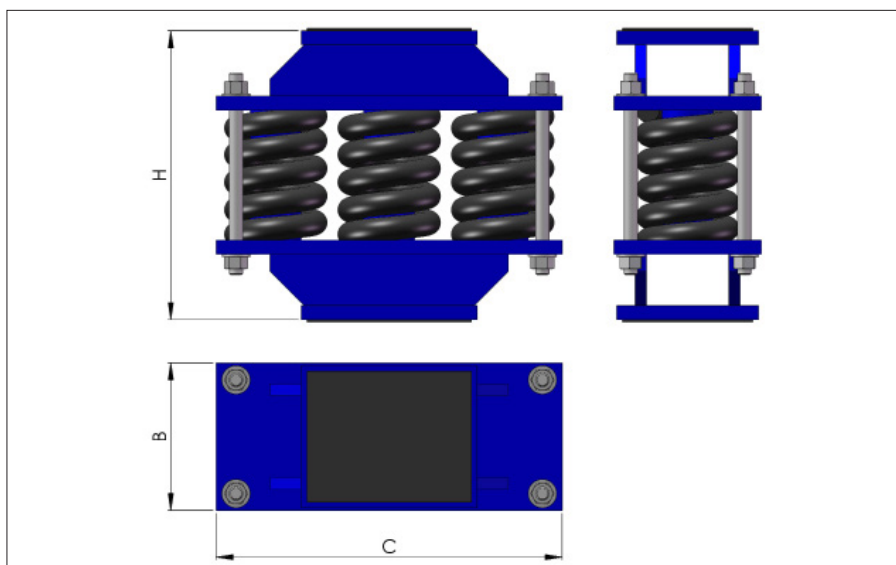


# LOW FREQUENCY METAL ISOLATORS: LINE "SPRING BOX"

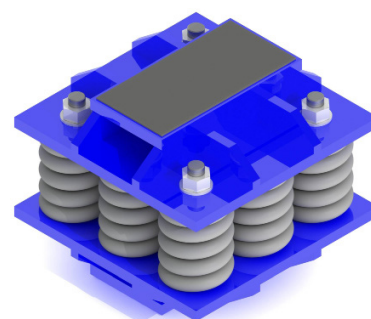
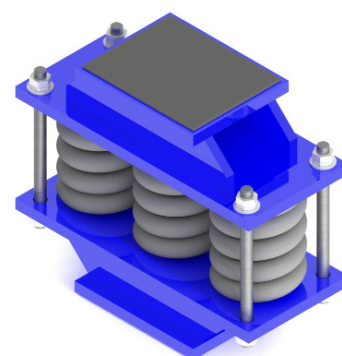
PERFORMANCES  
**series BRB**



- All metal low frequencies anti-vibration mounts for vertical loading.
- Easy to mount.
- No ageing.
- Corrosion resistant.
- Temperature range: -50°C +200°C.
- Great adaptability/versatility:  
**Specials on request**  
(materials, size and interfaces, etc.).

Dimensions are in mm. For reference only.

SERIES Materials and finishes	MODEL					
		Static load (KN)	H	B	C	Frequency
<b>BRB</b> <b>Box:</b> corrosion protected steel <b>Spring:</b> high tensile steel paint or phosphate coating	BRB3_1	130	500	260	610	≈ 3Hz
	BRB3_2	150				
	BRB3_3	172				
	BRB3_4	195				
	BRB3_5	216				
	BRB3_6	260				
	BRB3_7	302		470	610	
	BRB3_8	325				
	BRB3_9	390				
	BRB6_1	390				
	BRB6_2	434				
	BRB6_3	520				
	BRB6_4	606		610	610	
	BRB6_5	650				
	BRB6_6	780				
	BRB9_1	780				
	BRB9_2	910				
	BRB9_3	975				
	BRB9_4	1084		610	810	
	BRB9_5	1170				
BRB12_1	1170					
BRB12_2	1300					
BRB12_3	1386					
BRB12_4	1430					
BRB12_5	1560					



EXAMPLE  
BRB6\_3

B	R	B	6	-	3
---	---	---	---	---	---

**PREFIX:**  
'Spring Box'  
from the BRB series

**MODEL:**  
Static load 520kN