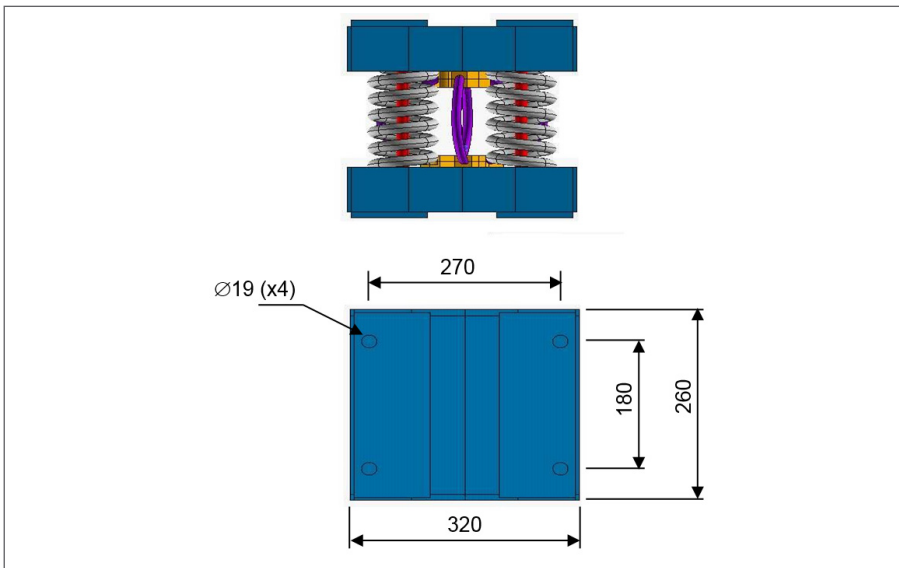


LOW FREQUENCY METAL ISOLATORS: LINE "SPRING-POLYCAL BOX"

PERFORMANCES
series BRP



- All metal low frequencies anti-vibration mounts for vertical loading.
- Easy to mount.
- No ageing.
- Corrosion resistant.
- Temperature range: -50°C +200°C.
- Great adaptability/versatility: **Specials on request** (materials, size and interfaces, etc.).

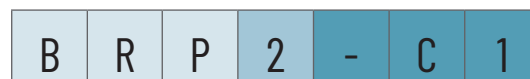
Dimensions are in mm. For reference only.

SERIES
Materials and finishes
BRP
Wire rope isolator: stainless steel cable aluminium alloy interface
Box: corrosion protected steel
Spring: high tensile steel paint or phosphate coating

LOAD	static load		height under load		frequency	
	mini (kg)	maxi (kg)	mini (mm)	maxi (mm)	mini (Hz)	maxi (Hz)
Type 1	1 000	2 000	250	270	2,5	3,5
Type 2	2 000	4 000	250	270	2,5	3,5

DAMPING	
-C0	No isolator
-C1	Standard isolator $Q < 10$
-CX	Special isolator $Q > 10$

EXAMPLE
BRP2-C1



PREFIX:
'Spring-Polycal Box' mount
from the **BRP** series

MODEL: 2
static load
from 2 to 4 tons

SUFFIX: -C1
Standard isolator

