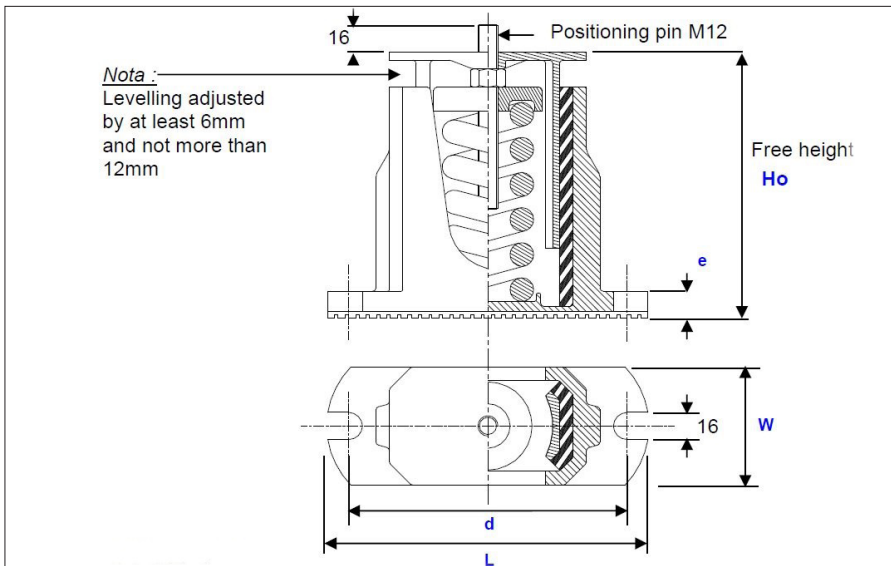


# LOW FREQUENCY METAL ISOLATORS: LINE "HOUSED SPRING UNIT"

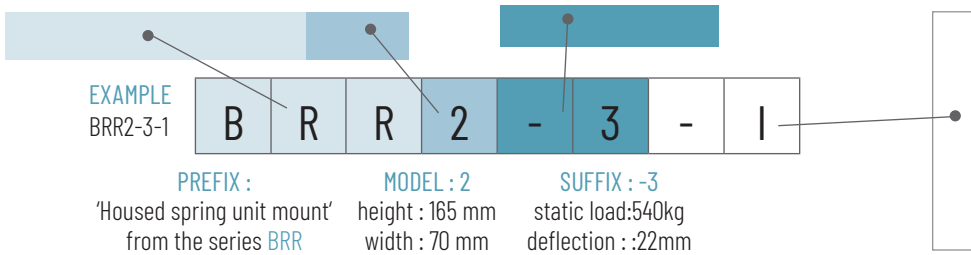
PERFORMANCES  
**series BRR**



- Deflection under nominal load up to 25mm.
- Limited movement during start up and shut down.
- Minimum damping.
- Sound waves isolation.
- Ideally suited for high horizontal thrust.
- Non-skid friction rubber pad.
- 50% overload capacity.

Dimensions are in mm. For reference only.

SERIES Materials and finishes	DIMENSIONS						LOAD	TYPE		
	Model	$H_o$	$W$	$d$	$L$	$e$	Force/Deflection Capability	BRR-1	BRR-2	BRR-4
<b>BRR</b> <b>Spring:</b> high tensile steel paint or phosphate coating  <b>Elastomer:</b> neoprene  <b>Housing</b> corrosion protected steel	-1	155	70	165	190	13	-1	30kg/27mm	340kg/25mm	680kg/25mm
	-2	165	70	235	260	14	-2	40kg/25mm	440kg/25mm	880kg/25mm
	-3	170	27	235	260	16	-3	60kg/25mm	540kg/22mm	1080kg/22mm
							-4	80kg/25mm	660kg/20mm	1320kg/20mm
							-5	120kg/25mm	800kg/16mm	1880kg/16mm
							-6	170kg/25mm	940kg/16mm	1880kg/16mm
							-7	220kg/25mm	1080kg/14mm	2160kg/14mm
							-8	270kg/22mm		
							-9	330kg/20mm		
							-10	400kg/16mm		
							-11	407kg/16mm		



MOUNTING	
-E	Positioning pin External levelling
-I	Positioning pin Internal levelling
-F	No positioning pin Internal levelling

