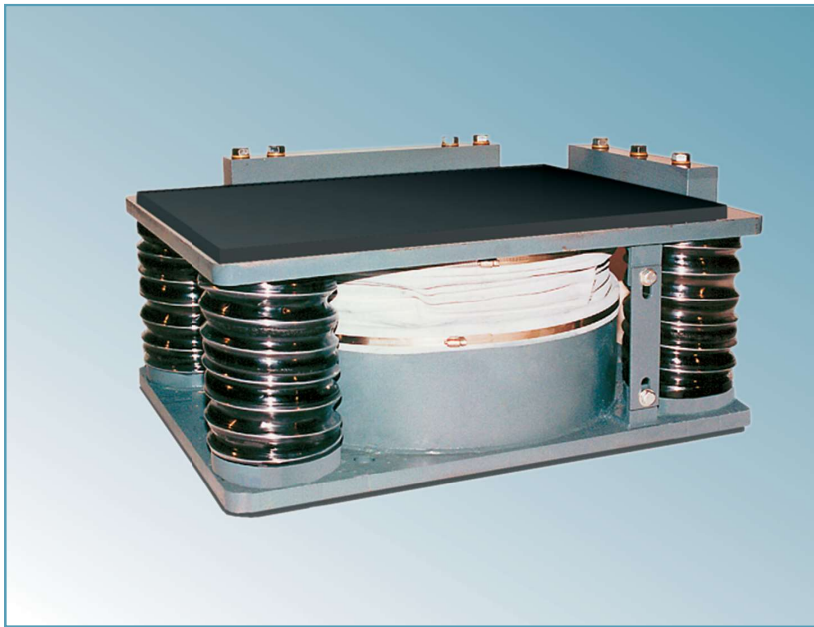


# MODEL: FSV20 & FSV24 forging spring mounts

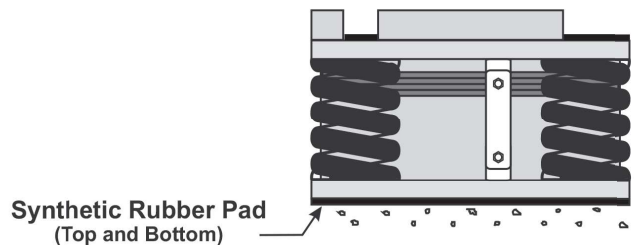
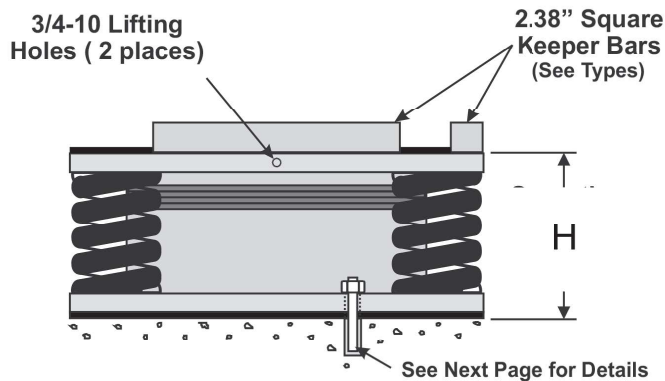
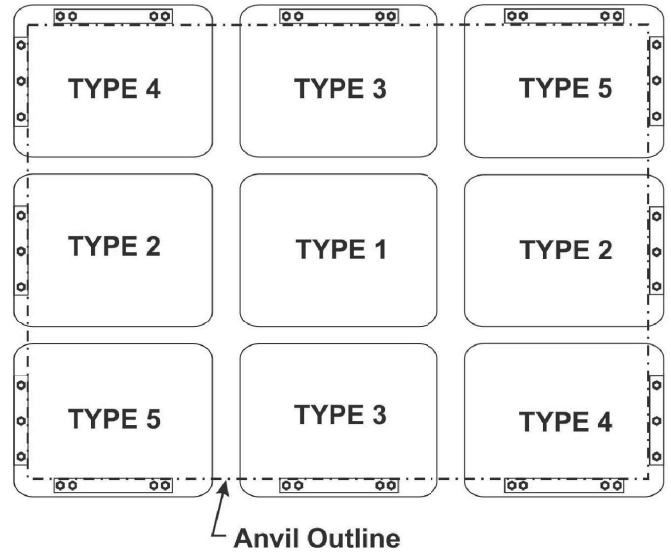
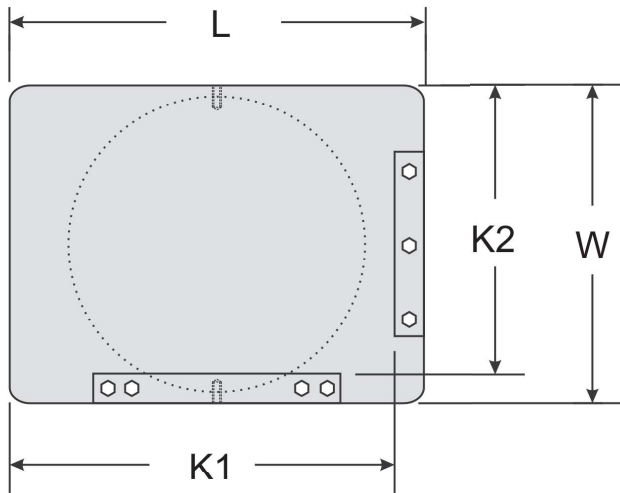


DESIGNED SPECIFICALLY FOR FORGING HAMMERS & PRESSES

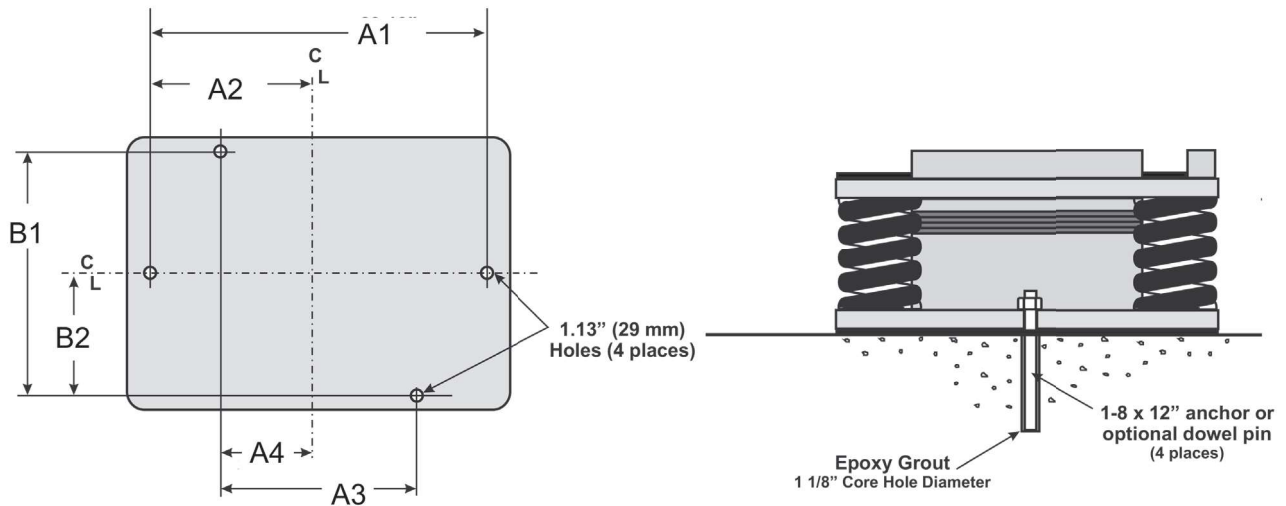
- Viscous damping
- External springs
- 4.0-6.0 natural frequency range
- 80-90% reduction
- Heavy-duty construction
- Low maintenance

CUSTOM DESIGNS & SIZES ARE AVAILABLE

## KEEPER BAR TYPE ARRANGEMENTS

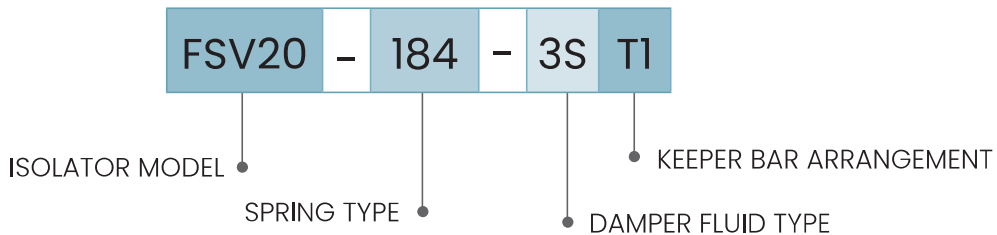


# bolt-down pattern layout



Model Number	L	W	H	Keeper Bars		Anchoring					
				K1	K2	A1	A2	A3	A4	B1	B2
FSV20-164	33.1	23.63	13.7	30.7 ±0.125	21.25 ±0.125	29.13	14.56	17	8.5	21.19	10.59
FSV20-184	33.1	23.63	13.7	30.7 ±0.125	21.25 ±0.125	29.13	14.56	17	8.5	21.19	10.59
FSV24-164	33.5	25.8	13.7	31.1 ±0.125	23.42 ±0.125	31.5	15.75	17	8.5	23.36	11.68
FSV24-184	33.5	25.8	13.7	31.1 ±0.125	23.42 ±0.125	31.5	15.75	17	8.5	23.36	11.68

The slope of the concrete surface under the isolator must not exceed 0.07 inches/foot (5.8 mm/meter). Uneven loading of the coil springs occurs when the isolator is tilted, or twisted, causing excessive stress. Self-leveling grout or a steel plate covering the pit bottom is recommended if the supporting surface exceeds the tolerances shown above.



**NOTE: Isolator data subject to change without notice.**