

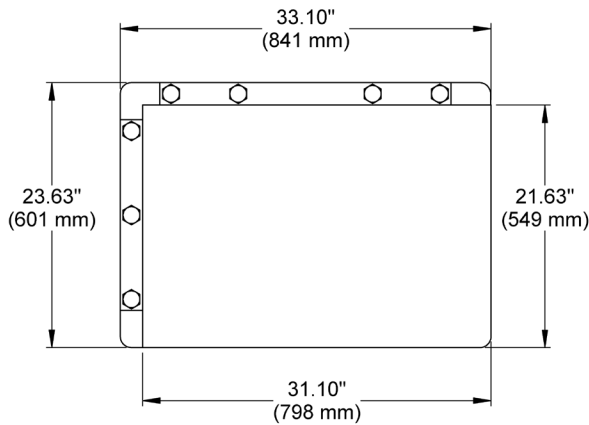
MODEL: FSX20-184 forging spring mounts



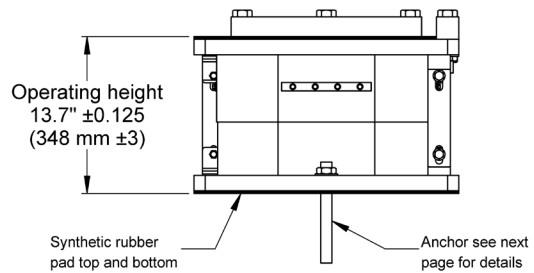
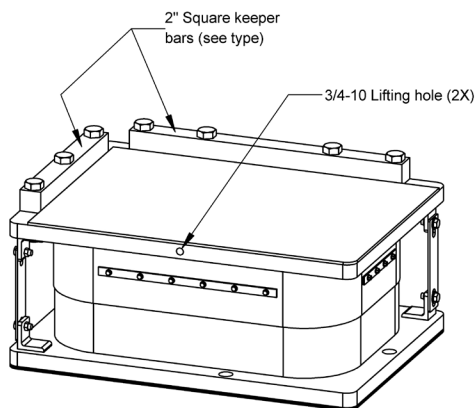
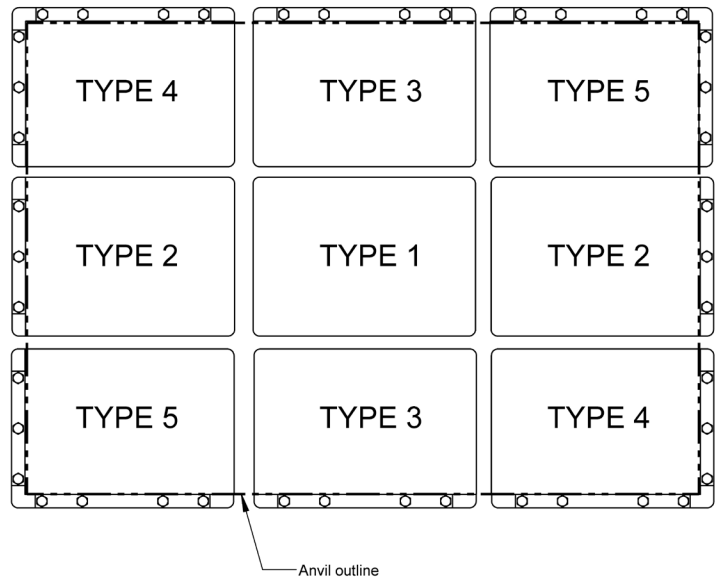
DESIGNED SPECIFICALLY FOR FORGING HAMMERS & PRESSES

- Viscous damping
- Internal springs
- 4.0-6.0 natural frequency range
- 80-90% reduction
- Heavy-duty construction
- Low maintenance

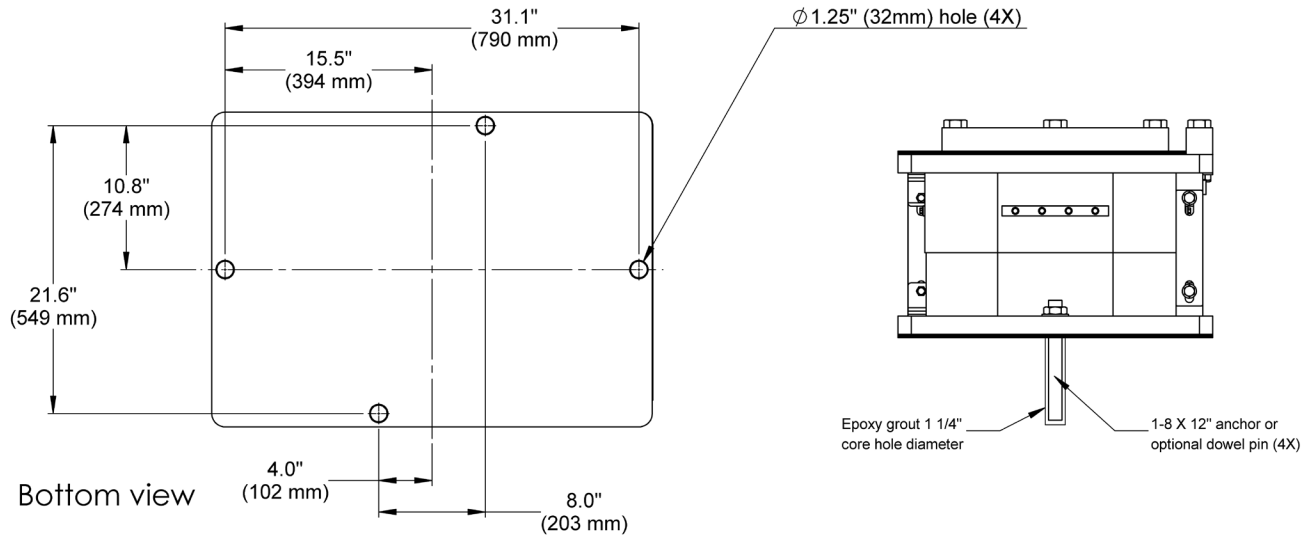
CUSTOM DESIGNS & SIZES ARE AVAILABLE



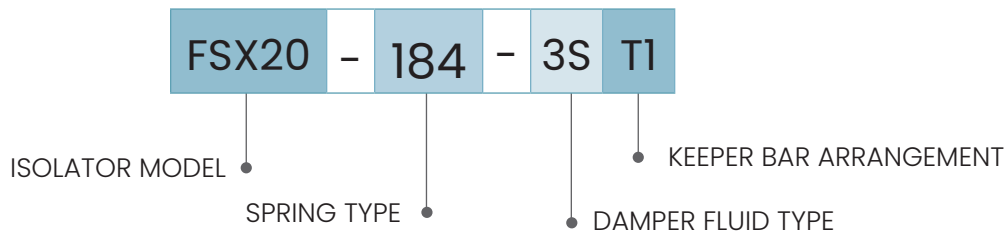
KEEPER BAR TYPE ARRANGEMENTS



bolt-down pattern layout



The slope of the concrete surface under the isolator must not exceed 0.07 inches/foot (5.8 mm/meter). Uneven loading of the coil springs occurs when the isolator is tilted, or twisted, causing excessive stress. Self-leveling grout or a steel plate covering the pit bottom is recommended if the supporting surface exceeds the tolerances shown above.



NOTE: Isolator data subject to change without notice.

03/29/2019