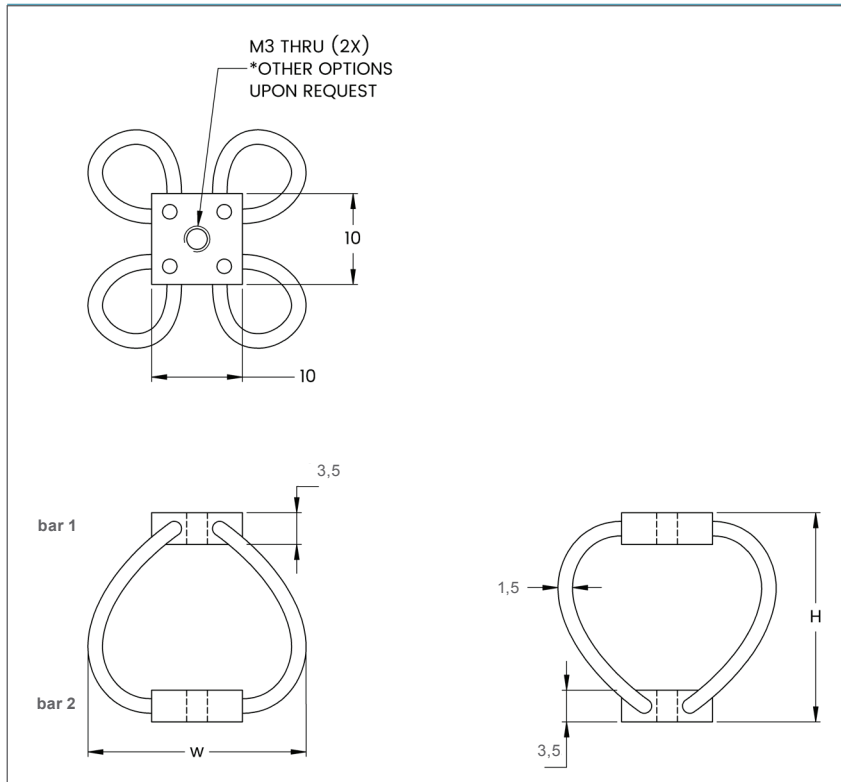


WIRE ROPE ISOLATORS: POLYCAL

DEFINITION
series MP2



- All metal multidirectional anti-vibration / shock mounts.
- Exceptional reliability and long life.
- High damping.
- No ageing.
- Corrosion resistant.
- Unequalled temperature range: -180°C +300°C.
- Great adaptability / versatility.

SPECIALS ON REQUEST

(material and size).

Dimensions are in mm. For reference only.

SERIES
Materials and finishes (meets RoHS requirements)
MP2
Cable: stainless steel
Bars: aluminium alloy / surtec 650
<i>Other materials on request</i>

MODEL	height h (mm)	width w (mm)	weight (gr)
-40	16	20	4
-50	19	21	4
-60	23	24	5
-80	27	27	5

INTERFACES			
fixtures holes D	Bar 1		
		through hole ø 3,2mm	through hole ø 3,2mm counter-sunk 90°
Bar 2			
through hole ø 3,2mm	TM2	not standard	not standard
through hole ø 3,2mm countersunk 90°	TCM	CM2	not standard
threaded hole M3	TIM	CIM	IM2

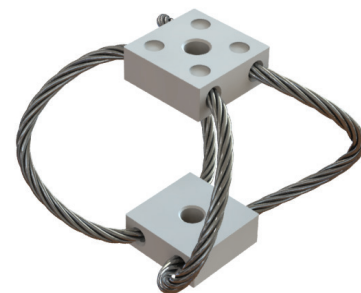
Other interfaces on request

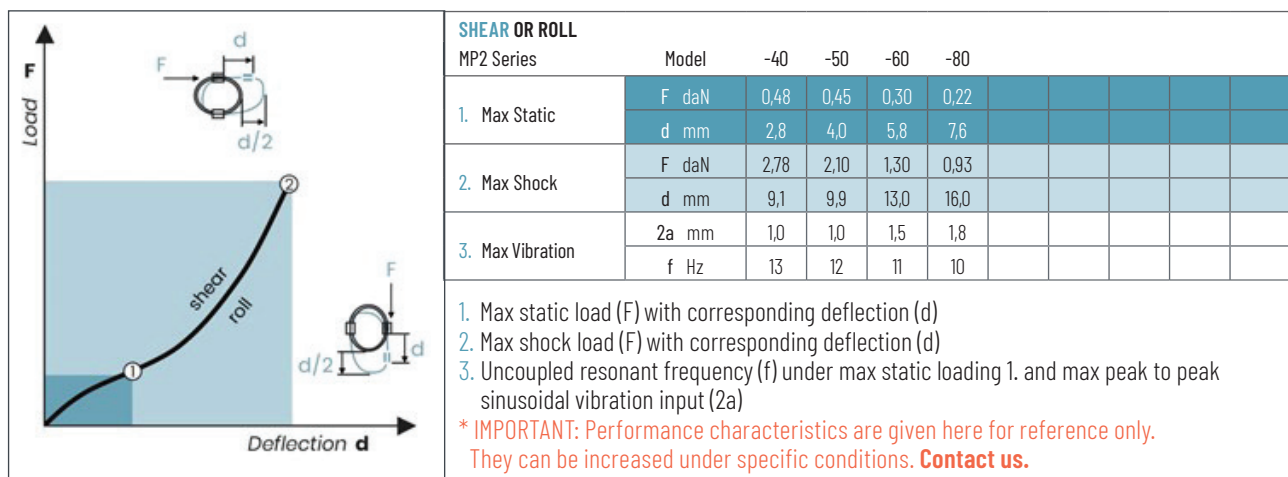
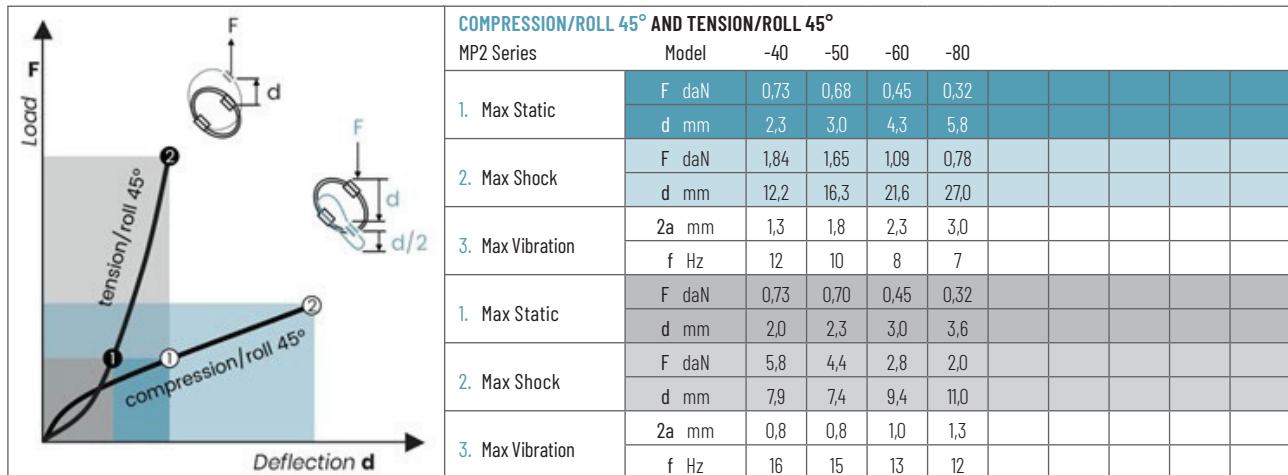
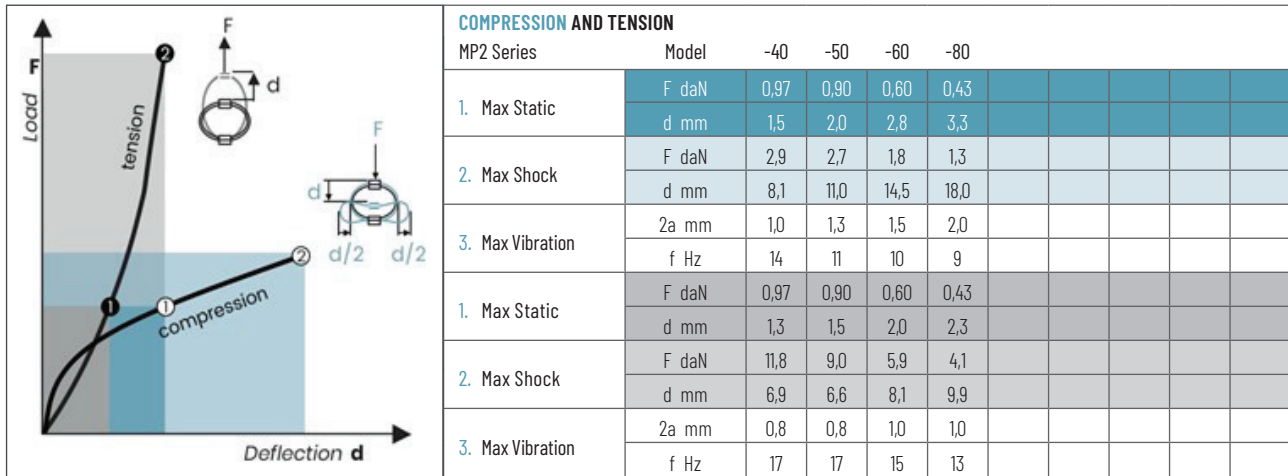
* Fixture hole
option

M P 2 - 4 0 I M 2

Prefix:
'polycal' isolator
from the MP series

-40 16 20 4





TYPICAL SHOCK / VIBRATION SPECIFICATIONS:

Ground Forces	GAM EG13A, SEFT 001, MIL-STD-810, VG 95332.
Air	AIR 7306, MIL-E-5400, MIL-C-172, MIL-STD-810.
Marine	GAM EG13C, IT25-21/96-31/15-86, MIL-S-167, MIL-S-901, STANAG 042, BV 043.73, BV 044.
Others	GAM EMB1, GAM EMBT4, DEF STAN 07-55, IEC 571, FINABEL 2C..